



The Audi A1 and S1 range

Pricing and Specification Guide
Valid from November 2015

Audi A1 erratum

On behalf of Volkswagen Group UK Ltd we want to be open and transparent with you concerning potential irregularities in the published CO₂ emissions and fuel consumption figures in this brochure. Our CO₂ and consumption values are provisional and are currently under review. Revised values will be published if necessary.

To the extent that CO₂ values and fuel consumption are relevant for the purposes of tax, any increase might affect the amount of tax that is payable. We want to make clear to you that the Volkswagen Group has informed the relevant Government authorities of this issue and intends to settle those potential additional taxes.

Volkswagen Group is working at full speed to provide a clarification of the issue. Please accept our sincere apologies for the situation.

Personalising your Audi A1

This guide has been designed to help you tailor and price your Audi A1 quickly and logically. At the back, you will find information on CO2 emissions-based taxation and services offered with your Audi, including Finance and Insurance. You can also configure your Audi A1 online at audi.co.uk

The images featured in this guide are for illustrative purposes only. They may feature left-hand drive vehicles and include equipment that is not UK specification.

The Audi A1

Audi Connect Technology	12
Packages	14
S1 quattro®	16
	18

Model details and prices

SE model equipment	22
Sport model equipment	24
S line model equipment	26
Black Edition model equipment	28
S1 model equipment	30
Model prices	32

Colour and upholstery

Paint	34
A1 and S1 contrast roof line	36
A1 and S1 Sportback contrast roof	38
Upholstery	42
Seats	48
Colour and trim guide	50
Interior styling	52

Options

Wheels, tyres and suspension	58
Packages	62
Audio and communication	66
Interior equipment	68
Exterior equipment	70
Safety and security	72
Steering wheels	74

Looking after your Audi

Audi Complete and Service Plan	76
Warranty	79
Accessories	80
Merchandise	81
Audi Difference	82

Technical details

Technical data	83
Dimensions	89
Pricing and Additional information	93





Vorsprung durch Technik

Three words that express the very essence of Audi – Vorsprung durch Technik. It's our way of seeing the world and the driving force behind our history of innovation that continues into the 21st century. Indeed, many technologies that have become synonymous with Audi remain in our cars today. Some are milestones in the history of the motorcar. From our beginnings in 1899, to the Auto Union team's Grand Prix successes in the 1930s and our more recent wins at Le Mans, we have always been at the forefront of the motor industry.

Vorsprung durch Technik makes us who we are. To see more of its influence, just read on.

The Audi A1 – a big idea condensed.

The humble paper clip. The tungsten filament. The silicon chip. Sometimes, the biggest ideas are found in the smallest things. And, featuring many of the advanced technologies you'll find in our larger models, the same goes for the Audi A1.

With a choice of TDI® and TFSI® engines, Audi drive select as standard on Sport models and above and optional 7-speed S tronic® transmission, the A1 doesn't compromise on performance either.

Combine this with a wide choice of trim options and colour choices, including leather and Alcantara upholstery, and it's easy to see how the A1 is packed with big ideas.













A1: The inside story

Chrome-plated controls and a 3-spoke steering wheel give the A1 a sporty, dynamic look. For comfort and entertainment, air-conditioning, DAB radio and a manually retractable MMI screen come as standard.

And, with a wide choice of interior options from upholstery to colour co-ordinated air vents, centre consoles and even armrests, it's easy to add your personal touches to the A1.



Audi Connect

Stay networked on the move.

Being inside your car shouldn't mean losing touch with the outside world. That's why, with optional Audi Connect, the A1 creates a link between you and the internet.* With internet access in your car, you can go online to access information, entertainment and Google Earth™ for navigation maps. And, with a wireless hotspot within the car, passengers can connect their mobile devices – to browse the internet or download emails. With Audi Connect, the world is at your fingertips. Available as part of the optional Technology package.



Wi-fi hotspot

Connects your mobile devices to the internet



Online media streaming

Access to global radio stations via smartphone app and Wi-fi, plus access to your smartphone's media library



Weather information

Gives you forecasts and maps for your chosen destination



News online

Text and images about current world events



City events

Up-to-date information about events happening at your destination



Points of interest

Search Google™ using voice control for points-of-interest to return relevant information such as photos, opening times and visitor ratings



Traffic information online

Complements the dynamic route guidance with real-time traffic flow information for individual stretches of road



Fuel prices

Information on filling stations with the cheapest prices in your selected search area



Country specific information

The legal regulations for a specific country, such as speed limits or whether it is compulsory to carry a high-visibility vest or display a motorway toll sticker, are displayed when crossing a border



Parking information

Helps you find car parks nearby and, where available, information on prices and currently vacant spaces



Navigate with Google Earth™ and Google Street View™

Uses high-resolution aerial and satellite images to guide you to your destination. Photos, terrain information, roads and their names as well as business listings supplement the information. Google Street View provides a virtual run-through of the street views from any angle



Destination entry via myAudi or Google Maps™

If required, navigation destinations can be conveniently planned on your PC or smartphone. myAudi and Google Maps™ allow individual navigation destinations to be sent to the vehicle. When you start your journey, these can be easily loaded as your destination.



Travel information

Sightseeing information – with a function for importing the destination to the navigation system.

*Please note that an external data source is required to enable Audi Connect online services. Terms and conditions apply to certain Audi Connect functions. Please see pages 62 and 94 for additional information.



Technology

Customise. Enhance. Enjoy.

From navigation to entertainment to driver assistance and information, an entire range of options is available to help you customise and enhance your experience of driving the A1. A selection of the options available are listed below. For full details please see option pages (p34-74).



Advanced key

Advanced key allows the driver to keep the key in their pocket or bag at all times. The car can be opened by lifting the drivers door handle and locked by pressing the button on the handle. The engine can be started and stopped by pressing the start/stop button integrated into the dashboard.



BOSE® surround sound

5.1 surround sound* with dynamic noise-compensation, 10-channel amplifier, 14 loudspeakers including centre speaker in the dashboard and 2 surround loudspeakers in the rear shelf. Total output of 465 Watts. Speaker housings with bevelled edge plus lighting for door speakers.



Audi drive select

Features three pre-configured modes (Efficiency, Auto and Dynamic) allowing the driver to electronically adjust the engine characteristics, steering and gearshift changes (with S tronic transmissions only). Standard on Sport, S line and S1 models.



Connectivity

By placing your mobile phone** in the Audi Phone Box storage compartment a 'wireless' connection to the car is created for improved reception quality, hands-free facility and voice control.

*When combined with Technology package.

**Please contact your Audi Centre or visit www.audi.co.uk/phonecompatibility for information on compatible mobile phones.



Packages

Personalisation simplified

Choosing the options to enhance your A1 is an important part of ensuring your car is right for you. Some items work well together so we've put our most popular equipment into optional packs for simplicity and added value. The Technology pack features popular technology options including Audi Connect and HDD-based Satellite Navigation. Essential for those wanting the highest level of connectivity and navigation system. The Comfort pack combines a selection of options designed to offer convenience and enhance your driving comfort. The Design pack allows you to further enhance the interior and exterior of your car by adding options such as a panoramic sunroof and LED interior lighting. For further details please see page 62.



Technology pack

- ▶ Audi Music Interface (AMI)
- ▶ HDD-based Satellite Navigation
- ▶ MMI Plus
- ▶ Audi Connect



Comfort pack

- ▶ Driver's Information System (DIS)
- ▶ Cruise control
- ▶ Auto-dimming rear view mirror
- ▶ Rear parking sensors
- ▶ Light and rain sensors
- ▶ High-beam assist



Design pack

- ▶ Privacy glass
- ▶ LED interior light pack
- ▶ Folding door mirrors
- ▶ Panoramic sunroof
- ▶ Light and rain sensors





Striking design meets impressive performance

Powered by a 2.0-litre TFSI engine, producing 231PS and 370 Nm of torque, the high-performance S1 can accelerate from 0-62mph in 5.8 seconds with a top speed of 155mph.* Power and performance that puts the S1 firmly at the pinnacle of the A1 range.

For exceptional handling, quattro® all-wheel-drive, electromechanical power steering and Sport suspension are fitted as standard. You can further optimise your drive with Audi drive select; its three modes – Efficiency, Dynamic and Auto – allow you to change the characteristics of the steering, suspension and throttle response to suit your individual style.

But it's not just the S1's handling and performance that will leave an impression. From optional contrasting upholstery stitching to the eye-catching quattro® styling packs (details of which can be found on page 64), the S1 looks as impressive on the inside as it feels to drive.

S1 quattro®

The legend reincarnated.

quattro®, Audi's intuitive all-wheel drive system, earned its reputation by helping our rally cars to victory on the demanding circuits of the 1980s.

Fitted as standard on the S1, quattro® constantly analyses each wheel and distributes power to where it's needed most. The result? Improved grip and handling, even in less than perfect driving conditions. Acceleration is aided by greater traction, which ensures that the S1 quattro® of today, is every bit as exhilarating as the original.





SE model equipment

All A1 models have the following items of standard equipment

Engine

Automatic Start-Stop function designed to help optimise fuel consumption. Comprising:

- Recuperation for optimal energy utilisation
- Energy saving tips feature in the Driver's Information System: including gearshift indicator (if Driver's Information System is fitted)

Wheels, tyres and suspension

15" x 6J '5-arm' design alloy wheels with 185/60 R15 tyres

Locking wheel bolts

Dynamic suspension

Electromechanical power steering

Tyre repair kit*

Tool kit and car jack

Audio and communication

6.5" display screen in high-gloss black – manually retractable

AUX-IN socket

DAB digital radio reception

Concert radio/single CD player with MP3 file compatibility, 6 speakers in front and rear and 2 tweeters

SD memory card reader

Seats

Standard seats in Zeitgeist cloth upholstery

Driver and front passenger seats with manual height, forwards and backwards adjustment

3 rear seats (Sportback only)

Easy-entry front seats (3-door only)

Split-folding rear seats

Interior equipment

3-spoke Sport steering wheel (with gear-shift paddles for S tronic transmissions)

Steering wheel adjustable for height and reach

Air vent sleeves in matt black

Electric front and rear windows (Sportback only)

Electric front windows (3-door only)

Heat-insulating glass windscreen and side windows

Front floor mats

Heated rear windscreen

Centre console with two cup holders and 12V socket

Illuminated glovebox

Manual air conditioning

Non-smoking package



15" x 6J '5-arm' design alloy wheels



Split-folding rear seats



6.5" display screen in high-gloss black



Standard seats in Zeitgeist cloth

Exterior equipment

Body-coloured door mirrors with integrated indicators

Exterior mirrors – heated and electrically adjustable

Halogen headlights

Rear fog light

Safety and security

Adaptive brake lights

Driver, front passenger, front side and head airbag system

Electronic Stability Control (ESC), including ABS, EBD, ASR and EDL

First aid kit

Front passenger airbag deactivation switch

ISOFIX child seat mounting – for outer rear seats, including Top Tether attachment

Rear head restraints (adjustable) on all seats

Remote central locking with 2 foldaway keys

Seat belts – 3-point on all seats

Seat belt monitoring for all seats

Seat belt height adjustment for front seats

Secondary Collision Brake Assist

Thatcham Category 1 alarm and immobiliser

Tyre pressure monitor

Warning triangle



Image shows the A1 SE model with optional Glacier white, metallic paint (2Y) and Xenon Plus headlights (PX4).

Sport model equipment

In addition to SE model equipment

Total RRP inc VAT*
£1,975.00

Wheels, tyres and suspension

16" x 7J '5-spoke' 'Sport' design alloy wheels with 215/45 R16 tyres

Sport suspension with stiffer spring and damper settings (de-selection of Sport suspension is available)

Audi drive select – features three pre-configured modes (Efficiency, Auto and Dynamic) allowing the driver to electronically adjust the engine characteristics, steering and gearshift changes (with S tronic transmissions only). Not available on the 1.0 TFSI engines

Audio and communication

Audi Music Interface – Universal connection for use with stereo audio sources, USB and MP3 devices including Apple iPod generation 4 onwards (iPod, iPod classic, iPod mini, iPod nano, iPod photo, iPod video, iPod touch). The interface provides charging function (dependent on device)

Mobile telephone preparation – Bluetooth interface and audio streaming. For mobile phone compatibility, please visit your Audi Centre or www.audi.co.uk/phonecompatibility

Voice control of key telephone and radio functions

Two SD card readers – with preparation for SD card based Satellite Navigation

Seats

Front Sport seats in Tornado cloth upholstery

Manually adjustable lumbar support in front seats

Exterior equipment

Front fog lights

Polished tailpipe(s)

Interior equipment

3-spoke leather Sport multi-function steering wheel (with gear-shift paddles for S tronic transmissions)

Driver's Information System (DIS) – 3.5" monochrome display in the dashboard binnacle. The DIS shows the radio frequency/station or track title, telephone control menu and other display information from the infotainment system such as navigation (if fitted). Also includes an on-board trip computer with short and long-term trip memory, outside temperature display, digital speedometer, door or boot open warning and efficiency program

Washer fluid level indicator

Air vent sleeves in high-gloss black

Aluminium trim for control switches, glove compartment, door handles and door sills

Leather handbrake grip and Sport gear knob with aluminium trim



16" x 7J '5-spoke' 'Sport' design alloy wheels



Driver's Information System (DIS)



3-spoke Sport leather multi-function steering wheel



Air vent sleeves in high-gloss black



Image shows the A1 Sportback Sport model with optional Nano grey, metallic paint (G3) and Xenon Plus headlights (PX4).

S line model equipment

In addition to Sport model equipment

Total RRP inc VAT*
£1,995.00

Wheels, tyres and suspension

17" x 7.5J '10-spoke' high-gloss alloy wheels with 215/40 R17 tyres

S line Sport suspension

Seats

Front Sport seats in Sprint cloth/leather upholstery with embossed S line logo

Exterior equipment

Xenon headlights with LED daytime running lights – includes automatic headlight adjustment, dynamic range control and headlight washers

LED rear lights

S line badges on front wings

S line body styling – includes radiator grille in high-gloss black, front Sport bumper, side-skirts and rear bumper

Rear diffuser – painted in Platinum grey

S line roof spoiler

Interior equipment

3-spoke leather Sport multi-function steering wheel with aluminium inlay, S line badging and perforated leather trim (with gear-shift paddles for S tronic transmissions)

Black cloth headlining

Door sill trims with aluminium inlays and S line lettering

LED interior light package



17" x 7.5J '10-spoke' high-gloss alloy wheels



Front Sport seats in Sprint cloth/leather



Xenon headlights with LED daytime running lights



Image shows the A1 S line model with optional Scuba blue, metallic paint (S9) with contrast roof line in Brilliant black (A2).

Black edition model equipment

In addition to S line model equipment

Total RRP inc VAT*
£1,595.00

Only available in the following colours:

- Brilliant black (A2)
- Glacier white, metallic (2Y)*
- Floret silver, metallic (L5)*
- Misano red, pearl effect (N9)*
- Daytona grey, pearl effect (6Y)*
- Mythos black, metallic (0E)*

Wheels, tyres and suspension

18" x 7.5J '5-V-spoke' design titanium finish alloy wheels with 225/35 R18 tyres

Seats

Front Sport seats in leather/perforated alcantara upholstery with embossed S line logo

Audio and Communication

Audi sound system

Exterior equipment

Black styling package – includes rear diffuser in high-gloss black, radiator grille frame and struts in high-gloss black, side air inlets in high-gloss black, tailpipes in high-gloss black, front lip spoiler in high-gloss black, number plate holder and radiator grille in matt black

Light and rain sensors

Privacy glass

Interior equipment

3-spoke leather Sport multi-function flat-bottomed steering wheel – with S line badging and perforated leather trim (with gear-shift paddles for S tronic transmissions)

Electronic climate control

Centre console in high-gloss black

Pedals in stainless steel



18" x 7.5J '5-V-spoke' titanium design alloy wheels



Electronic climate control



3-spoke leather Sport multi-function flat-bottomed steering wheel



Image shows the A1 Black Edition model with optional Misano red, pearl effect paint (N9).

S1 model equipment

In addition/ replacement of Sport model equipment

Wheels, tyres and suspension

17" x 7.5J 'S-parallel-spoke' 'S' design alloy wheels with 215/40 R17 tyres

'S' sport suspension with adjustable dampers. Two individual damper set-ups that can be controlled via Audi Drive Select

'S'-specific, more direct steering. Features speed-dependent steering assistance which can be configured via Audi drive select

quattro® permanent all-wheel-drive

Audi drive select – (in addition to Sport) allows the driver to adjust the dampers and engine sound

Seats

Black Sector cloth/leather upholstery with embossed S1 logo and contrasting red stitching

2 rear seats (3-door and Sportback)*

Exterior equipment

'S' design body styling – includes radiator grille with S design and S1 logo, front Sport bumper with air inlets, S side skirts, rear diffuser incorporating dual-branch oval twin tailpipes and S1 logo on rear tailgate. Please note that 'S' design body styling removes front fog lights

'S' roof spoiler

Xenon headlights with LED daytime running lights – includes automatic headlight adjustment, dynamic range control and headlight washers

LED rear lights

Exterior door mirrors in aluminium styling

Black brake calipers with S1 logo on front calipers

Light and rain sensors

Interior equipment

3-spoke leather Sport multi-function steering wheel with high-gloss S1 badge

Door sills with aluminium inlays and S1 logo

'S' specific gear lever knob

LED interior lighting package. Includes illuminated door handles, footwell lighting, illuminated vanity mirrors, illuminated glovebox, front reading lights and ambient lighting

Electronic climate control

Pedals in stainless steel

MMI with S1 logo

Centre console and door armrests in mono.pur





Image shows the S1 3-door model with optional Vegas yellow, gloss paint (L1) and contrast roof line in Brilliant black, gloss (A2).

A1 SE

Engines	Power	Transmissions	CO2 g/km**	Total RRP inc VAT^	Recommended OTR [†]
1.0 TFSI	95PS	5-speed manual	97	£13,845.00	£14,530.00
1.0 TFSI	95PS	7-speed S tronic	102	£15,385.00	£16,070.00
1.6 TDI ⁺⁺	116PS	5-speed manual	92	£14,920.00	£15,605.00
1.6 TDI ⁺⁺	116PS	7-speed S tronic	97	£16,460.00	£17,145.00

A1 Sport

Engines	Power	Transmissions	CO2 g/km**	Total RRP inc VAT^	Recommended OTR [†]
1.0 TFSI	95PS	5-speed manual	97	£15,820.00	£16,505.00
1.0 TFSI	95PS	7-speed S tronic	102	£17,360.00	£18,045.00
1.4 TFSI	125PS	6-speed manual	115	£16,220.00	£16,905.00
1.4 TFSI	125PS	7-speed S tronic	112	£17,760.00	£18,445.00
1.6 TDI ⁺⁺	116PS	5-speed manual	92	£16,895.00	£17,580.00
1.6 TDI ⁺⁺	116PS	7-speed S tronic	97	£18,435.00	£19,120.00

****Our CO2 and consumption values are provisional and are currently under review. Revised values will be published if necessary.**

****Please note:** CO2 emissions can change if a different size alloy is ordered onto the vehicle. This may also lead to a change to the VED amount payable. Please refer to pages 83-88 and 94 for more details. Values are from standard EU tests to be used for comparative purposes and may not reflect real driving results.

Please note: The maximum power output figures are quoted in PS (or Pferdestärke, which is the metric equivalent of brake horsepower). To convert to brake horsepower, divide the PS figure by 1.0139.

A1 Sportback SE

Engines	Power	Transmissions	CO2 g/km**	Total RRP inc VAT^	Recommended OTR [†]
1.0 TFSI	95PS	5-speed manual	97	£14,465.00	£15,150.00
1.0 TFSI	95PS	7-speed S tronic	102	£16,005.00	£16,690.00
1.6 TDI ⁺⁺	116PS	5-speed manual	92	£15,540.00	£16,225.00
1.6 TDI ⁺⁺	116PS	7-speed S tronic	97	£17,080.00	£17,765.00

A1 Sportback Sport

Engines	Power	Transmissions	CO2 g/km**	Total RRP inc VAT^	Recommended OTR [†]
1.0 TFSI	95PS	5-speed manual	97	£16,440.00	£17,125.00
1.0 TFSI	95PS	7-speed S tronic	102	£17,980.00	£18,665.00
1.4 TFSI	125PS	6-speed manual	118	£16,840.00	£17,525.00
1.4 TFSI	125PS	7-speed S tronic	112	£18,380.00	£19,065.00
1.6 TDI ⁺⁺	116PS	5-speed manual	92	£17,515.00	£18,200.00
1.6 TDI ⁺⁺	116PS	7-speed S tronic	97	£19,055.00	£19,740.00

^RRP – Recommended Retail Price. VAT is calculated at 20% but this may alter to reflect any change in the applicable VAT rate.

†Recommended On-The-Road (OTR) retail prices include: delivery charge, half a tank of fuel, number plates at £630.00 (inc. VAT), Road Fund Licence (which may vary depending on model/transmission – see page 93 for details) and first registration fee at £55.00. Vehicle Excise Duty correct at time of going to print, but this may alter to reflect any change in the applicable VED rate.

A1 S line

Engines	Power	Transmissions	CO2 g/km**	Total RRP inc VAT [^]	Recommended OTR ⁺
1.4 TFSI	125PS	6-speed manual	117	£18,215.00	£18,900.00
1.4 TFSI	125PS	7-speed S tronic	113	£19,775.00	£20,440.00
1.4 TFSI*	150PS	6-speed manual	112	£19,010.00	£19,695.00
1.4 TFSI*	150PS	7-speed S tronic	111	£20,550.00	£21,235.00
1.6 TDI**	116PS	5-speed manual	93	£18,890.00	£19,575.00
1.6 TDI**	116PS	7-speed S tronic	98	£20,430.00	£21,115.00

A1 Black Edition

Engines	Power	Transmissions	CO2 g/km**	Total RRP inc VAT [^]	Recommended OTR ⁺
1.4 TFSI*	150PS	6-speed manual	117	£20,605.00	£21,290.00
1.4 TFSI*	150PS	7-speed S tronic	116	£22,145.00	£22,830.00
1.6 TDI**	116PS	5-speed manual	97	£20,485.00	£21,170.00
1.6 TDI**	116PS	7-speed S tronic	103	£22,025.00	£22,710.00

S1

Engines	Power	Transmissions	CO2 g/km**	Total RRP inc VAT [^]	Recommended OTR ⁺
2.0 TFSI	231PS	6-speed manual	162	£24,730.00	£25,595.00

**Our CO2 and consumption values are provisional and are currently under review. Revised values will be published if necessary.

*1.4 TFSI engine with Audi cylinder-on-demand technology.

**Please note: CO2 emissions can change if a different size alloy is ordered onto the vehicle. This may also lead to a change to the VED amount payable. Please refer to pages 83-88 and 94 for more details. Values are from standard EU tests to be used for comparative purposes and may not reflect real driving results.

Please note: The maximum power output figures are quoted in PS (or Pferdestärke, which is the metric equivalent of brake horsepower). To convert to brake horsepower, divide the PS figure by 1.0139.

A1 Sportback S line

Engines	Power	Transmissions	CO2 g/km**	Total RRP inc VAT [^]	Recommended OTR ⁺
1.4 TFSI	125PS	6-speed manual	119	£18,835.00	£19,520.00
1.4 TFSI	125PS	7-speed S tronic	113	£20,375.00	£21,060.00
1.4 TFSI*	150PS	6-speed manual	112	£19,630.00	£20,315.00
1.4 TFSI*	150PS	7-speed S tronic	111	£21,170.00	£21,855.00
1.6 TDI **	116PS	5-speed manual	93	£19,510.00	£20,195.00
1.6 TDI**	116PS	7-speed S tronic	98	£21,050.00	£21,735.00

A1 Sportback Black Edition

Engines	Power	Transmissions	CO2 g/km**	Total RRP inc VAT [^]	Recommended OTR ⁺
1.4 TFSI*	150PS	6-speed manual	117	£21,225.00	£21,910.00
1.4 TFSI*	150PS	7-speed S tronic	116	£22,765.00	£23,450.00
1.6 TDI **	116PS	5-speed manual	97	£21,105.00	£21,790.00
1.6 TDI**	116PS	7-speed S tronic	103	£22,645.00	£23,330.00

S1 Sportback

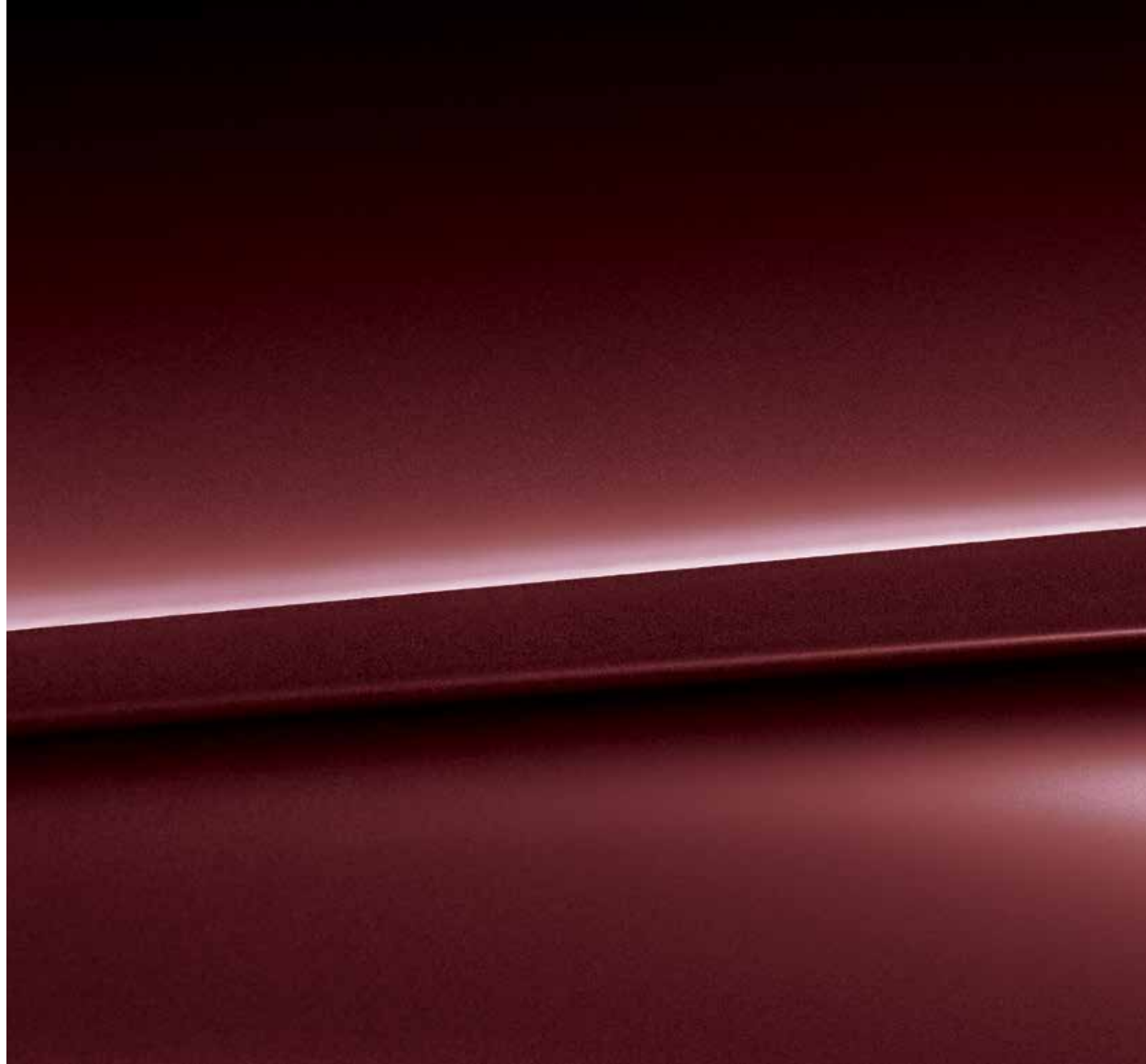
Engines	Power	Transmissions	CO2 g/km**	Total RRP inc VAT [^]	Recommended OTR ⁺
2.0 TFSI	231PS	6-speed manual	166	£25,350.00	£26,330.00

[^]RRP – Recommended Retail Price. VAT is calculated at 20% but this may alter to reflect any change in the applicable VAT rate.

⁺Recommended On-The-Road (OTR) retail prices include: delivery charge, half a tank of fuel, number plates at £630.00 (inc. VAT), Road Fund Licence (which may vary depending on model/transmission – see page 93 for details) and first registration fee at £55.00. Vehicle Excise Duty correct at time of going to print, but this may alter to reflect any change in the applicable VED rate.

Paint

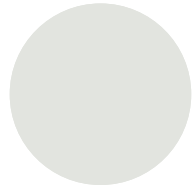
We believe that every part of your car should have a personal touch. Which is why you can choose from a wide range of paint colours and finishes, from standard shades to metallic and pearl effects.



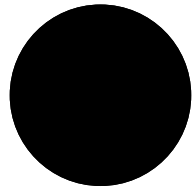
Paint

You can select one of the standard colours shown opposite or, for a different look, choose from the range of optional metallic or pearl-effect finishes.

Standard colours

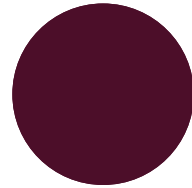


Shell white, gloss - B4**

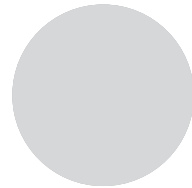


Brilliant black, gloss - A2

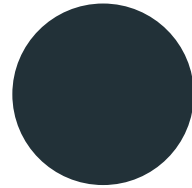
Optional colours



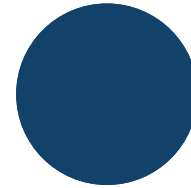
Shiraz red, metallic - 3A**



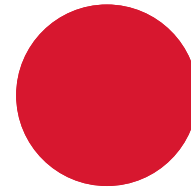
Floret silver, metallic - L5



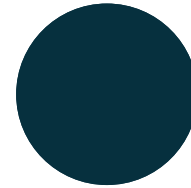
Nano grey, metallic - G3***



Scuba blue, metallic - S9***



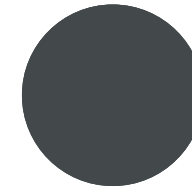
Misano red, pearl effect - N9



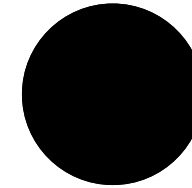
Utopia blue, metallic - D2**



Glacier white, metallic - 2Y

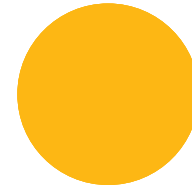


Daytona grey, pearl effect - 6Y*

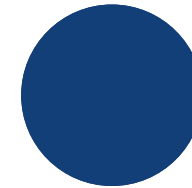


Mythos black, metallic - 0E

S1 quattro colours



Vegas yellow, gloss - L1



Sepang blue, pearl effect - E9

Options are subject to availability and may extend time taken for delivery.

*Not available on SE or Sport trim.

**Not available on A1 Black Edition or S1 models.

***Not available on A1 Black Edition models.

All the colour swatches on this page are matched as accurately as possible to the actual paint colours used. However, due to print processes, Audi UK cannot guarantee that colours shown are 100% accurate.

Visit your local Audi Centre for a more accurate colour swatch.

*Total RRP inc VAT - Recommended Retail Price including VAT which is calculated at 20%. This may alter to reflect any change in the applicable VAT rate.

Optional colours

Total RRP inc VAT+
£390.00

S1 quattro colours

Total RRP inc VAT+
£475.00

A1 and S1 contrast roof line

Total RRP inc VAT+
£350.00

Personalise your A1 or S1 3-door to suit your style by choosing a roof line in contrast colour.

Paint and contrast roof line combinations

To help you choose the exterior design of your A1, please use this guide which shows possible paint and contrast roof line combinations.



A1 and S1 contrast roof line colour

Brilliant black, gloss - A2 Daytona grey, pearl effect - 6Y** Floret silver, metallic - L5 Glacier white, metallic - 2Y

Please refer to page 35 for prices when an optional body paint colour is chosen in combination with a contrast roof line.


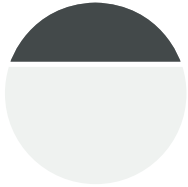
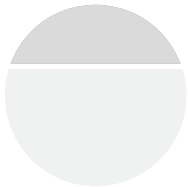

Illustrations show the Audi A1 in Misano red, pearl effect with contrast roof line in Brilliant black.

All the colour swatches on this page are matched as accurately as possible to the actual paint colours used. However, due to print processes, Audi UK cannot guarantee that colours shown are 100% accurate.

A1 and S1 body paint colour

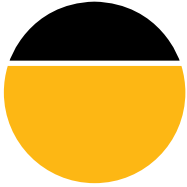
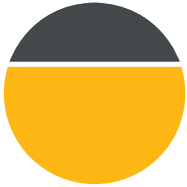
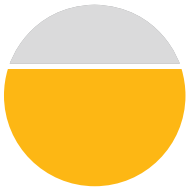

Options are subject to availability and may extend time taken for delivery.
*S1 only. **Daytona grey is not available on SE or Sport. ***Not available on Black Edition models. ^Not available on Black Edition or S1 models.
+Total RRP inc VAT - Recommended Retail Price including VAT which is calculated at 20%. This may alter to reflect any change in the applicable VAT rate.

A1 and S1 contrast roof line colour

Brilliant black, gloss - A2	Daytona grey, pearl effect - 6Y**	Floret silver, metallic - L5	Glacier white, metallic - 2Y
			
Glacier white, metallic - 2Y	Mythos black, metallic - 0E	Daytona grey, pearl effect - 6Y**	Misano red, pearl effect - N9

A1 and S1 body paint colour

S1 contrast roof line colour

Brilliant black, gloss - A2	Daytona grey, pearl effect - 6Y**	Floret silver, metallic - L5	Glacier white, metallic - 2Y
			
Vegas yellow, gloss - L1*	Sepang blue, pearl effect - E9*		

S1 body paint colour

A1 and S1 Sportback contrast roof

Total RRP inc VAT+
£400.00

Personalise your A1 or S1 Sportback to suit your style by choosing a roof in contrast colour.

Paint and contrast roof combinations

To help you choose the exterior design of your A1 Sportback, please use this guide which shows possible paint and contrast roof combinations.



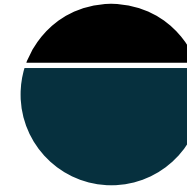
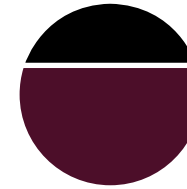
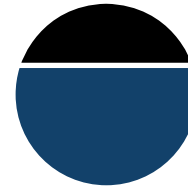
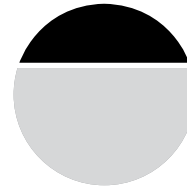
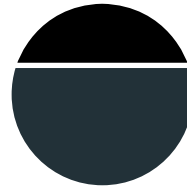
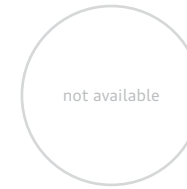
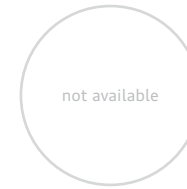
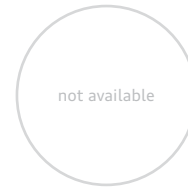
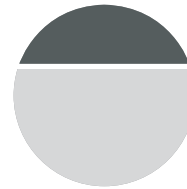
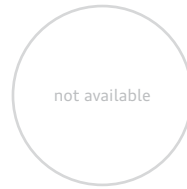
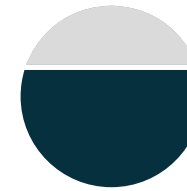
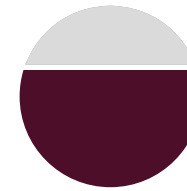
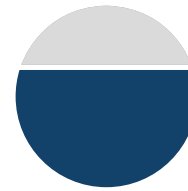
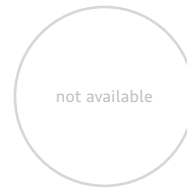
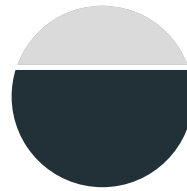
Please refer to page 35 for prices when an optional body paint colour is chosen in combination with a contrast roof.

Illustrations show the Audi A1 Sportback in Scuba blue, metallic paint with contrast roof in Floret silver.

All the colour swatches on this page are matched as accurately as possible to the actual paint colours used. However, due to print processes, Audi UK cannot guarantee that colours shown are 100% accurate.

A1 and S1 Sportback contrast roof colour

Brilliant black, gloss - A2 Daytona grey, pearl effect - 6Y** Floret silver, metallic - L5



Nano grey, metallic - G3***

Floret silver, metallic - L5

Scuba blue, metallic - S9***

Shiraz red, metallic - 3A*

Utopia blue, metallic - D2*

A1 and S1 Sportback body paint colour

Options are subject to availability and may extend time taken for delivery.

*S1 only. **Daytona grey is not available on SE or Sport. ***Not available on Black Edition models. *Not available on Black Edition or S1 Sportback models.

+Total RRP inc VAT - Recommended Retail Price including VAT which is calculated at 20%. This may alter to reflect any change in the applicable VAT rate.

A1 and S1 Sportback contrast roof colour

Brilliant black, gloss - A2 Daytona grey, pearl effect - 6Y** Floret silver, metallic - L5

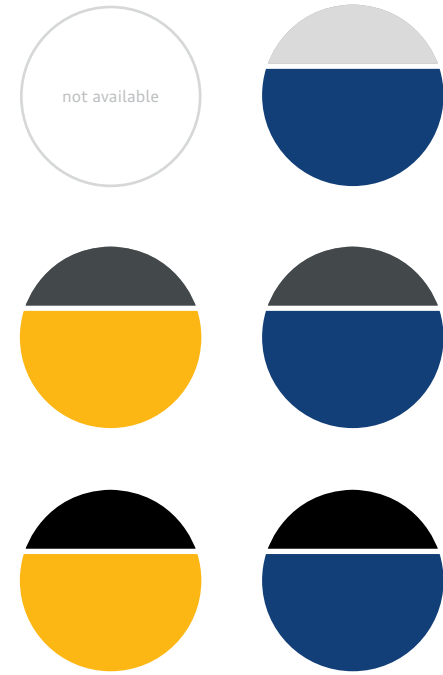


Glacier white, metallic - 2Y Mythos black, metallic - 0E Daytona grey, pearl effect - 6Y** Misano red, pearl effect - N9

A1 and S1 Sportback body paint colour

S1 Sportback contrast roof colour

Brilliant black, gloss - A2 Daytona grey, pearl effect - 6Y** Floret silver, metallic - L5



Vegas yellow, gloss - L1* Sepang blue, pearl effect - E9*

S1 Sportback body paint colour

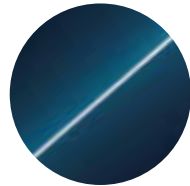
Paint

Audi exclusive

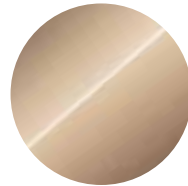
Everyone has a favourite colour. No matter what yours is, Audi exclusive provides a range of unique colours that have been designed to set your car apart. Choose from the swatches here, or specify any other paint colour in the Audi range, the choice is yours.*

Customised paint

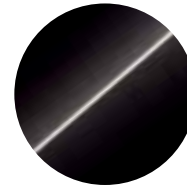
If you have a particular colour in mind, we'll mix the exact metallic or pearl-effect shade you want.**



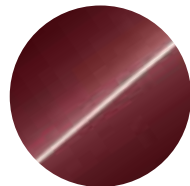
Palace blue, pearl effect



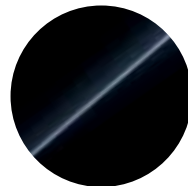
Sand beige, pearl effect



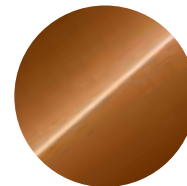
Saddle brown, pearl effect



Classic red, pearl effect



Mamba black, metallic



Ipanema brown, metallic



Any colour in the Audi range or 100 exclusive colours to choose from*

Audi exclusive*
Total RRP inc VAT+
£1,840.00



Customised paint**

Customised**
Total RRP inc VAT+
£2,340.00

Options are subject to availability and may extend time taken for delivery.

*Audi exclusive paint is subject to factory approval. Visit your local Audi Centre for colour samples.

**Customised paint is subject to factory approval, and is available for metallic and pearl-effect water-based paints only. Three-colour process colours and two-tone schemes are not available.

All the colour swatches on this page are matched as accurately as possible to the actual paint colours used. However, due to print processes, Audi UK cannot guarantee that colours shown are 100% accurate.

Visit your local Audi Centre for a more accurate colour swatch.

*Total RRP inc VAT – Recommended Retail Price including VAT which is calculated at 20%. This may alter to reflect any change in the applicable VAT rate.



Image shows S1 Sportback model in Audi Exclusive paint Viper green with contrast roof in Brilliant black.

Upholstery

It's important to feel comfortable on the road. Just choose from our range of luxury upholstery materials and textures, including additional support and colour options, for complete relaxation while you drive.





Upholstery

A1 SE

Standard seats

Choose between standard seats in cloth or front Sport seats in leather upholstery to give your car's interior the look and feel you want.

Zeitgeist cloth



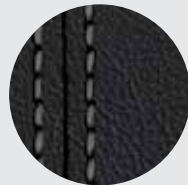
Black - YM

Includes seat centre panels in Zeitgeist cloth. Seat side bolsters and centre armrest, front (if ordered) in single-coloured cloth. Only available on standard seats

SE	Sport	S line	Black Edition	S1	Total RRP inc VAT*
S	-	-	-	-	£0.00

Sport seats

Milano leather



Black - YS

Includes seat centre panels, seat side bolsters and head restraint centre panels in Milano leather with contrast stitching. Door and side panel trim inserts and centre armrest, front (if ordered) in mono.pur. Price includes cost of front Sport seats

SE	Sport	S line	Black Edition	S1	Total RRP inc VAT*
●	-	-	-	-	£1,550.00

Options are subject to availability and may extend time taken for delivery.

- = Not available
- = Available
- S = Standard

All the colour swatches on this page are matched as accurately as possible to the actual upholstery colours used. However, due to print processes, Audi UK cannot guarantee that colours shown are 100% accurate.

*Total RRP inc VAT - Recommended Retail Price including VAT which is calculated at 20%. This may alter to reflect any change in the applicable VAT rate.

Upholstery

A1 Sport

Sport seats

Choose your favourite upholstery from the swatches shown opposite to give your car's interior the look and feel you want.


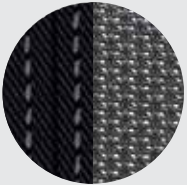

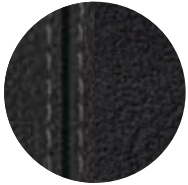

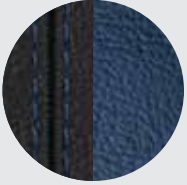
All Sport model upholstery colours receive contrast colour seat stitching.

Options are subject to availability and may extend time taken for delivery.

- = Not available
- = Available
- S = Standard

All the colour swatches on this page are matched as accurately as possible to the actual upholstery colours used. However, due to print processes, Audi UK cannot guarantee that colours shown are 100% accurate.

*Total RRP inc VAT – Recommended Retail Price including VAT which is calculated at 20%. This may alter to reflect any change in the applicable VAT rate.

							SE	Sport	S line	Black Edition	S1	Total RRP inc VAT*	
Tornado cloth				Includes seat centre panels in tornado cloth. Seat side bolsters and centre armrest, front (if ordered) in single-colour cloth with contrasting stitching. Design elements on seat colour-matches in mono.pur	-	S	-	-	-	-	-	£0.00	
	Black - YS Black/Steel grey - YI Laser blue - YO												
Leather/Alcantara				Includes seat centre panels and door/side panel trims in Alcantara. Seat side bolsters and head restraint centre panels in leather with contrasting stitching. Centre armrest, front (if ordered) in mono.pur	-	•	-	-	-	-	-	£875.00	
	Black/Black - YS												
Milano leather				Includes seat centre panels, seat side bolsters and head restraint centre panels in Milano leather with contrast stitching. Door and side panel trim inserts and centre armrest, front (if ordered) in mono.pur	-	•	-	-	-	-	-	£1,225.00	
	Black/Black - YS Blue/Black - YO												

Upholstery

A1 S line/Black Edition

Sport seats

			SE	Sport	S line	Black Edition	S1	Total RRP inc VAT*
Sprint cloth/ Leather		Includes seat centre panels in Sprint cloth. Seat side bolsters in leather with contrasting stitching. Design elements on seat, door trim inserts and centre armrest, front (if ordered) in mono.pur	-	-	S	-	-	£0.00
	Black - QF							
Leather/ Alcantara*		Includes seat centre panels and door/side panel trims in Alcantara. Seat side bolsters and head restraint centre panels in leather with contrasting stitching. Centre armrest, front (if ordered) in mono.pur	-	-	●	S	-	£480.00
	Black - QF							

Super Sport seats

With integrated headrests and shaped side bolsters giving increased lateral support. Easy-entry front seats with 2-way lumbar support. Manually adjustable height, forwards and backwards position, headrest and seat back angle. Also includes seat backrests in high-gloss black.


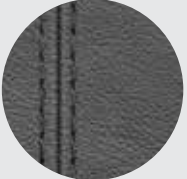
Options are subject to availability and may extend time taken for delivery.

- = Not available
- = Available
- S = Standard

*Alcantara seat centres are perforated.

All the colour swatches on this page are matched as accurately as possible to the actual upholstery colours used. However, due to print processes, Audi UK cannot guarantee that colours shown are 100% accurate.

*Total RRP inc VAT - Recommended Retail Price including VAT which is calculated at 20%. This may alter to reflect any change in the applicable VAT rate.

			SE	Sport	S line	Black Edition	S1	Total RRP inc VAT*
Fine Nappa leather		Includes seat centre panels, seat side bolsters and head restraint centre panels in fine Nappa leather. High-gloss backrest cover on front seats. Door and side panel trim inserts and centre armrest, front (if ordered) in mono.pur. Price includes cost of front Super Sport seats	-	-	●	-	-	£1,250.00
	Black - QF							
			-	-	-	●	-	£770.00
	Rotor grey - SL							

Upholstery

S1

Sport seats

Super Sport seats

With integrated headrests and shaped side bolsters giving increased lateral support. Easy-entry front seats with 2-way lumbar support. Manually adjustable height, forwards and backwards position, headrest and seat back angle. Also includes seat backrests in high-gloss black.

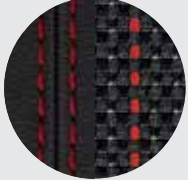

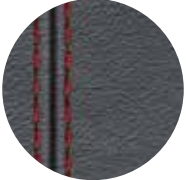


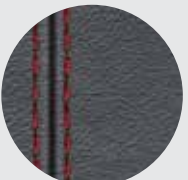
Options are subject to availability and may extend time taken for delivery.

- = Not available
- = Available
- S = Standard

*S1 Super Sport seats only.

All the colour swatches on this page are matched as accurately as possible to the actual upholstery colours used. However, due to print processes, Audi UK cannot guarantee that colours shown are 100% accurate.

*Total RRP inc VAT – Recommended Retail Price including VAT which is calculated at 20%. This may alter to reflect any change in the applicable VAT rate.

						SE	Sport	S line	Black Edition	S1	Total RRP inc VAT*
Sector cloth/ leather		Black with red stitching Sector cloth – AJ	Includes seat centre panels in Sector cloth. Seat side bolsters in leather with contrasting stitching. Design elements on seat, door trim inserts and centre armrest, front (if ordered) in mono.pur			-	-	-	-	S	£0.00
		Black with silver stitching – QF				-	-	-	-	•	£650.00
Fine Nappa leather		Steel grey with red stitching – LO	Includes seat centre panels, seat side bolsters and head restraint centre panels in fine Nappa leather. Door and side panel trim inserts and centre armrest, front (if ordered) in mono.pur			-	-	-	-	•	£650.00
		Black with yellow stitching – SN				-	-	-	-	•	£1,250.00
Fine Nappa leather		Black with silver stitching – QF	Includes seat centre panels, seat side bolsters and head restraint centre panels in fine Nappa leather. High-gloss backrest cover, door and side panel trim inserts and centre armrest, front (if ordered) in mono.pur. Price includes cost of Super Sport seats			-	-	-	-	•	£1,250.00
		Steel grey with red stitching – LO				-	-	-	-	•	£1,250.00

Seats

Choose from a variety of different seat options so you can maintain the correct driving posture at all times.

Order Code		SE	Sport	S line	Black Edition	S1	Total RRP inc VAT*
3NZ	4-seat option. Includes only 2 rear seat belts and headrests for the rear seats. A1 Sportback only	●	●	●	●	S	£0.00
4A3	Heated front seats. Individually controlled variable temperature adjustment	●	●	●	●	●	£215.00

Options are subject to availability and may extend time taken for delivery.

- = Not available
- = Available
- S = Standard

*Image includes S1 embossing. On S line models this will be S line embossing.

*Total RRP inc VAT – Recommended Retail Price including VAT which is calculated at 20%. This may alter to reflect any change in the applicable VAT rate.



Standard seat, front in Zeitgeist cloth, black



Sport seat, front in Tornado cloth, Steel grey



S1 Sport seat, front in Sector cloth/leather, black with red stitching and S1 embossing



Super Sport seat, front in Fine Nappa leather, black*



Colour and trim guide

Interior trim colours

A1 SE

To help you choose the right interior for your new Audi A1, please use this guide, showing the carpet, dashboard and headlining colours that have been matched to your chosen upholstery. For pricing information please refer to pages 44-47.

A1 Sport

A1 S line

A1 Black Edition

S1

Options are subject to availability and may extend time taken for delivery.

- = Not available
• = Available
S = Standard

*Only available as part of the quattro interior styling package.

Please note the choice of exterior paint colour may restrict the available interior trim colour choices.

Order Code	Seat centre section	Seat side section	Contrast stitching	Dashboard	Carpet	Centre console, armrest, map pocket, speaker grilles	Headlining	Zeitgeist cloth (N0L)	Milano leather (N5W)	
YM	Black	Black	-	Black	Black	Black	Titanium grey	•	—	
YS	Black	Black	Rock grey	Black	Black	Black	Titanium grey	—	•	
Order Code	Seat centre section	Seat side section	Contrast stitching	Dashboard	Carpet	Centre console, armrest, map pocket, speaker grilles	Headlining	Tornado cloth (N2T)	Milano leather (N5W)	Leather/Alcantara (N7R)
YS	Black	Black	Rock grey	Black	Black	Black	Titanium grey	•	•	•
YI	Steel grey	Steel grey	Rock grey	Black	Black	Black	Titanium grey	•	—	—
YO	Laser blue	Black	Laser blue	Black	Black	Black	Titanium grey	•	•	—
Order Code	Seat centre section	Seat side section	Contrast stitching	Dashboard	Carpet	Centre console, armrest, map pocket, speaker grilles	Headlining	Sprint cloth/leather (N7V)	Fine Nappa leather (N2R)	Leather/Alcantara (N7K)
QF	Black	Black	Dark silver	Black	Black	Black	Black	•	•	•
SL	Rotor grey	Rotor grey	Dark silver	Black	Black	Black	Black	—	•	—
Order Code	Seat centre section	Seat side section	Contrast stitching	Dashboard	Carpet	Centre console, armrest, map pocket, speaker grilles	Headlining	Fine Nappa leather (N2R)	Leather/Alcantara (N7K)	
QF	Black	Black	Dark silver	Black	Black	Black	Black	•	•	
SL	Rotor grey	Rotor grey	Dark silver	Black	Black	Black	Black	•	—	
Order Code	Seat centre section	Seat side section	Contrast stitching	Dashboard	Carpet	Centre console, armrest, map pocket, speaker grilles	Headlining	Sector cloth/leather (N0B)	Fine Nappa leather with S1 logo (N3M)	Fine Nappa leather with coloured backrest covers (N3Q*)
AJ	Black	Black	Red	Black	Black	Black	Black	•	—	—
QF	Black	Black	Silver	Black	Black	Black	Black	—	•	•
LO	Steel grey	Steel grey	Red	Black	Black	Steel grey	Black	—	•	•
SN	Black	Black	Yellow	Black	Black	Black	Black	—	•	•



Interior styling

For a more individual finish you can choose from a range of colour air vent sleeves and interior elements, to help you personalise the interior of your A1.





Air vent sleeves

Choose an air vent sleeve to complement or contrast with your chosen interior colour.



Matt black - 5MA



High-gloss, Black - 5MB



High-gloss, Steel grey - 5MV



Aluminium look - 5MD



High-gloss, Laser blue - 7TD



High-gloss, White - 5MJ

Options are subject to availability and may extend time taken for delivery.

All the colour swatches on this page are matched as accurately as possible to the actual colours used. However, due to print processes, Audi UK cannot guarantee that colours shown are 100% accurate.

Air vent sleeves

Order Code		SE	Sport	S line	Black Edition	S1	Total RRP inc VAT*
5MA	Matt black	S	-	-	-	-	£0.00
5MD	Aluminium look	-	-	●	-	●	£100.00
5MB	High-gloss black	●	S	S	S	S	£100.00
-	High-gloss colour contrast air vent sleeves. Available in Steel grey, Laser blue or White. Please note that colour contrast air vent sleeves can be selected to complement corresponding interior colour or contrast with black upholstery. The choice of exterior paint may restrict the available high-gloss air vent colours	-	●	●	-	-	£100.00

Options are subject to availability and may extend time taken for delivery.

- = Not available
 ● = Available
 S = Standard

*Total RRP inc VAT – Recommended Retail Price including VAT which is calculated at 20%. This may alter to reflect any change in the applicable VAT rate.

Interior elements

Choose from these contrast interior elements to complement your exterior paint colour.



Floret silver – YIL



Daytona grey – YIH



Shell white – YIQ



Misano red – YII



Glacier white – YIJ



Macao yellow – YIR

Options are subject to availability and may extend time taken for delivery.

All the colour swatches on this page are matched as accurately as possible to the actual colours used. However, due to print processes, Audi UK cannot guarantee that colours shown are 100% accurate.

Interior elements

Order Code		SE	Sport	S line	Black Edition	S1	Total RRP inc VAT*
-	Interior elements in contrast colour. Available in 6 colours. See opposite page for examples of selected colour availability. Rear-view mirror trim not available in combination with auto-dimming rear-view mirror. Not available in combination with high-gloss colour contrast air vent sleeves. The choice of exterior paint colour may restrict the available interior colours	●	●	●	—	—	£500.00
7HB	Mono-pur centre console and door armrests. Please note when ordered in combination with Steel grey or Laser blue interior, both elements will be in matching colour	—	●	●	—	S	£300.00
6NJ	Cloth headlining – Titanium grey	S	S	—	—	●	£0.00

Options are subject to availability and may extend time taken for delivery.

- = Not available
- = Available
- S = Standard

*Total RRP inc VAT – Recommended Retail Price including VAT which is calculated at 20%. This may alter to reflect any change in the applicable VAT rate.

Options

Every driver has different needs, which is why we have created some useful options to further enhance your car. For extra comfort, support, style or function, you can choose from a variety of additional features, tailoring everything from your infotainment and audio equipment to your wheels and lighting.





Wheels, tyres and suspension

Choose a set of specially-selected alloy wheels to subtly enhance the way your A1 looks.



17" x 7.5J '5-arm' design
bi-colour alloy wheels – CP2



17" x 7.5J '5-V-spoke' design
bi-colour alloy wheels – CP3



18" x 7.5J '5-arm Wing' design high-gloss
titanium finish alloy wheels – F41



18" x 7.5J '5-V-spoke' design titanium
finish alloy wheels – CF9



18" x 7.5J '5-parallel-spoke Star S'
design alloy wheels – C0C

Please note that the size of your chosen A1 wheel may affect the fuel consumption figures and the CO₂ emissions. This may result in a change in subsequent Vehicle Excise Duty payable. Please see pages 84, 85, 87, 88 and 94 for more details.

Options are subject to availability and may extend time taken for delivery.

- = Not available
• = Available
S = Standard

*Total RRP inc VAT – Recommended Retail Price including VAT which is calculated at 20%. This may alter to reflect any change in the applicable VAT rate.

Wheels, tyres and suspension

Order Code		SE	Sport	S line	Black Edition	S1	Total RRP inc VAT*
CP2	17" x 7.5J '5-arm' design bi-colour alloy wheels with 215/40 R17 tyres	-	●	-	-	-	£460.00
CP3	17" x 7.5J '5-V-spoke' design bi-colour alloy wheels with 215/40 R17 tyres	-	●	-	-	-	£560.00
F41	18" x 7.5J '5-arm Wing' design high-gloss titanium finish alloy wheels with 225/35 R18 tyres	-	-	●	-	-	£740.00
		-	-	-	●	-	£0.00
CF9	18" x 7.5J '5-V-spoke' design titanium finish, diamond cut alloy wheels with 225/35 R18 tyres	-	-	●	S	-	£945.00
C0C	18" x 7.5J '5-parallel-spoke Star S' design alloy wheels with 225/35 R18 tyres	-	-	-	-	●	£650.00
UC0	Dynamic suspension. Fine-tuned to deliver a more comfortable drive. Not available in combination with 18" alloy wheels	S	●	●	●	-	£0.00
PDA	Sport suspension with stiffer spring and damper settings	-	S	●	●	-	£0.00
PC2	Red brake calipers with S1 logo on the front calipers	-	-	-	-	●	£315.00
2H5	Audi drive select* – auto, dynamic and efficiency modes available to change the vehicle characteristics. The following characteristics are adapted: steering, throttle response, gearshift changes (with S tronic transmission) and air conditioning (in efficiency mode). Only available in combination with Driver's Information System (DIS)	●	S	S	S	S	£150.00
PDE	Sport suspension with adjustable dampers. Suspension set up can be adjusted to the driving conditions. Two setups are available (auto or dynamic) via Audi drive select**	-	●	●	●	S	£495.00

Please note that the size of your chosen A1 wheel may affect the fuel consumption figures and the CO2 emissions. This may result in a change in subsequent Vehicle Excise Duty payable. Please see pages 84, 85, 87, 88 and 94 for more details.

Options are subject to availability and may extend time taken for delivery.

- = Not available
● = Available
S = Standard

*Not available on 1.0 TFSI engines.

**Only available on 4 cylinder models with Audi drive select.

*Total RRP inc VAT – Recommended Retail Price including VAT which is calculated at 20%. This may alter to reflect any change in the applicable VAT rate.

Packages

Some items work well together, which is why we've created these special packages. They provide increased convenience and value by combining several of our most popular options.

Vehicle driver assistance and safety systems are not a substitute for attentive driving. Drivers retain full responsibility for providing the necessary inputs for safe control of the vehicle. System descriptions within this brochure are provided for information purposes only. System limitations and operational requirements apply. See manual for details.

Options are subject to availability and may extend time taken for delivery.

- = Not available
- = Available
- S = Standard

*Please note that the door mirrors do not fold automatically when the engine is switched off. Mirrors are folded by turning the exterior mirror button.

*Total RRP inc VAT - Recommended Retail Price including VAT which is calculated at 20%. This may alter to reflect any change in the applicable VAT rate.

Order Code	SE	Sport	S line	Black Edition	S1	Total RRP inc VAT*
PB1 Comfort pack. Acoustic parking system (rear only), Driver's Information System, Cruise control, High-beam assist, Auto-dimming rear-view mirror and light and rain sensors	•	-	-	-	-	£840.00
	-	•	•	-	-	£650.00
	-	-	-	•	•	£525.00
WB4 Technology pack. Satellite Navigation system - HDD-based with Audi Connect. Route-planning and guidance using voice, pictogram and 3D mapping. Navigation possible with Google Earth™, Google Street View™ and point-of-interest search with voice control. Third generation MMI system including high-resolution (800x480) 6.5" colour TFT display, two SD card readers and 40GB hard drive, 20GB of which can be used to store up to 8,000 songs. HDD Navigation functionality includes advanced speech recognition, 3D and topographical mapping display and advanced 3D building display. Additional Audi Connect services include Wi-fi hotspot, Traffic information online and fuel price information. Please note that luggage capacity is reduced with this option. Please see pages 14 and 94 for a full description on Audi Connect, including functionality and compatibility details	-	•	•	•	•	£1,495.00
WB2 Design pack. Includes panoramic sunroof, LED interior lighting, light and rain sensors, folding door mirrors,* privacy glass and windscreen sunband. Not available on S1 Sportback	•	•	-	-	-	£1,120.00
	-	-	•	-	-	£970.00
	-	-	-	-	•	£845.00
	-	-	-	•	-	£555.00



Acoustic parking system (rear)



Panoramic sunroof



Packages

Options are subject to availability and may extend time taken for delivery.

- = Not available
- = Available
- S = Standard

¹Please note that the 18" wheel included in this package will affect the fuel consumption figures and the CO2 emissions on the vehicle. This may result in a change in subsequent Vehicle Excise Duty payable. Please see pages 84, 85, 87, 88 and 94 for more details.

²Logo in Brilliant black or Floret silver depending on exterior colour choice.

*Please note stainless steel footrest is not available on right hand drive models.

*Total RRP inc VAT - Recommended Retail Price including VAT which is calculated at 20%. This may alter to reflect any change in the applicable VAT rate.

Order Code		SE	Sport	S line	Black Edition	S1	Total RRP inc VAT*
WST	quattro® exterior styling package. ¹ Includes Xenon headlights with red trim, red brake calipers with S1 logo, striking roof spoiler, exterior quattro side logo. ² 18" S design matt black alloy wheels and bumper with aluminium-look front spoiler lip. Red headlight trim and brake calipers can be de-selected free of charge (PSB). quattro roof spoiler can be de-selected free of charge (PFJ). Please note that contrast roof/roofline is only available in Brilliant black or Floret silver in combination with this pack. Exterior colour Brilliant black cannot be selected in combination with this option	-	-	-	-	•	£1,245.00
PSA	quattro® interior styling package. Includes centre console in high-gloss black/red/yellow, S Super Sport seats in Fine Nappa leather with back of the front seats in high-gloss red/yellow or high-gloss black with quattro logo, door armrest in leather black with contrast stitching in silver or yellow or leather grey with red contrast stitching, multi-function flat-bottomed steering wheel with contrasting stitching in silver/red or yellow, air vent sleeves in high-gloss black with red interior trim (aluminium option available using code 5ML) and black floor mats with double piping black/silver or steel grey/red or black/yellow. Colour options are restricted based on seat and paint choices, please see colour and trim guide below	-	-	-	-	•	£1,695.00

Order Code		Scuba blue, metallic (S9)	Glacier white, metallic (2Y)	Floret silver, metallic (LS)	Misano red, pearl effect (N9)	Mythos black, metallic (0E)	Daytona grey, pearl effect (6Y)	Vegas yellow, gloss (L1)	Sepang blue, pearl effect (E9)
L0	Grey Fine Nappa leather seats with red stitching Interior high-gloss elements in red	-	•	•	•	•	•	-	-
QF	Black Fine Nappa leather seats with silver stitching Interior high-gloss elements in black	•	•	•	•	•	•	•	•
SN	Black Fine Nappa leather seats with yellow stitching Interior high-gloss elements in yellow	-	•	•	-	•	•	•	-



quattro® interior styling package*



quattro® interior styling package



Image shows the S1 Sportback model with optional Misano red, pearl effect paint (N9), quattro exterior styling package (WST) and contrast roof (6H4) in Brilliant black.

Audio and communication

Stay in touch using our range of communication functions, and give each journey its own soundtrack with our advanced audio equipment.

You can also opt for the Technology package, which combines some of the features shown here with the HDD-based Satellite Navigation. See page 62 for further details.

Options are subject to availability and may extend time taken for delivery.

- = Not available
- = Available
- S = Standard

*When combined with Technology package.

*Total RRP inc VAT – Recommended Retail Price including VAT which is calculated at 20%. This may alter to reflect any change in the applicable VAT rate.

Order Code	SE	Sport	S line	Black Edition	S1	Total RRP inc VAT*
9Q7 Driver's Information System (DIS). 3.5" monochrome display in the dashboard binnacle. The DIS shows the radio frequency/station or track title, telephone control menu and other display information from the infotainment system such as navigation (if fitted). Also includes an on-board trip computer with short and long-term trip memory, outside temperature display, digital speedometer, door or boot open warning and efficiency program	•	S	S	S	S	£190.00
9VD Audi sound system. Includes 6-channel amplifier, 6 loudspeakers in front and rear, 2 tweeters in A-posts, centre speaker in dashboard and subwoofer. Total output of 180 Watts	•	•	•	S	•	£255.00
9VK BOSE® surround sound system. 5.1 surround sound* with dynamic noise-compensation, 10-channel amplifier, 14 loudspeakers including centre speaker in the dashboard and 2 surround loudspeakers in the rear shelf. Total output of 465 Watts. Speaker housings with bevelled edge plus lighting for door speakers. Only available in combination with LED interior light package (QQ1). Please note that luggage capacity is reduced with this option	•	•	•	–	•	£690.00
	–	–	–	•	–	£435.00
PNU Satellite Navigation system – SD card-based. Route planning and guidance using voice, pictogram and 2D mapping. 7-digit postcode recognition. Includes AM/FM tuner with TP memo function. Single front-loading CD player with MP3 compatibility. Third generation MMI system including high resolution (400x240) 6.5" colour TFT display and two SD card readers (one of which is used by the Navigation SD card). Navigation functionality includes advanced speech recognition. Also includes Audi Music Interface and Bluetooth interface with Bluetooth audio streaming. Only in combination with Driver's Information System (9Q7) and multi-function steering wheel	•	–	–	–	–	£1,175.00
	–	•	•	•	•	£570.00



BOSE® surround sound system

Audio and communication

Options are subject to availability and may extend time taken for delivery.

- = Not available
- = Available
- S = Standard

*Preparation for SD card-based navigation system allows maps to be retro-fitted using parts from Audi Genuine Accessories.

**Please contact your Audi Centre or visit www.audi.co.uk/phonecompatibility for information on compatible mobile phones.

*Total RRP inc VAT – Recommended Retail Price including VAT which is calculated at 20%. This may alter to reflect any change in the applicable VAT rate.

Order Code		SE	Sport	S line	Black Edition	S1	Total RRP inc VAT*
PNV	Connectivity package. Audi Music Interface, Bluetooth interface** including voice control and Bluetooth audio streaming. Also includes additional SD card reader and preparation for Satellite Navigation.* Only in combination with Driver's Information System and multi-function steering wheel. Not in combination with Satellite Navigation – SD card-based	•	-	-	-	-	£605.00
9ZX	Mobile telephone preparation – Bluetooth interface. Provides hands-free connection via Bluetooth using mobile phone aerial.** Only in combination with Driver's Information System (9Q7) and multi-function steering wheel	•	S	S	S	S	£250.00
9ZE 6E3	Audi Phone Box. Offers improved reception quality for compatible mobile phones** in the car by placing it in the storage compartment provided to create a wireless connection to the vehicle aerial. Mobile phone can be charged via a USB port. Includes front centre armrest. Not available in combination with Technology package (WB4)	-	•	•	•	•	£475.00
7A2	CD changer. For six CDs with MP3 compatibility	•	•	•	•	•	£325.00



Audi Phone Box

Interior equipment

Specify every detail of your car's interior with this wide range of options.

Options are subject to availability and may extend time taken for delivery.

- = Not available
- = Available
- S = Standard

*Total RRP inc VAT – Recommended Retail Price including VAT which is calculated at 20%. This may alter to reflect any change in the applicable VAT rate.

Order Code		SE	Sport	S line	Black Edition	S1	Total RRP inc VAT*
PG3	Advanced key. Access and authorisation system which automatically exchanges data between key and vehicle, allowing the driver to keep the key in their pocket or bag at all times. To unlock and open, simply lift the driver or passenger door handle. To lock, press the button on the handle. Pressing the start/stop button integrated in the dashboard starts and stops the engine	•	•	•	•	•	£390.00
6Q5	Aluminium gear knob. Only on manual models	•	•	•	•	•	£130.00
8T2	Cruise control. For holding any speed above 25mph. Also available as part of the Comfort package – see page 62 for details	•	•	•	•	•	£225.00
9AK 8N6 4GP	Electronic climate control. Automatically controls the air temperature, flow rate, distribution and air recirculation, including humidity sensor and defrost button for rapid defrosting of windscreen. Also includes light and rain sensors In combination with Comfort package	• •	• •	• •	S –	S –	£330.00 £205.00
QQ1	LED interior light package. Includes illuminated door handles, illuminated front door armrests, footwell lighting, illuminated vanity mirrors, illuminated glovebox, front reading lights and reflected lighting of the centre console. Also includes lighting for the luggage compartment	•	•	S	S	S	£150.00
8N6 4GP	Light and rain sensors. Automatic headlight activation, automatic windscreen wipers, coming home/leaving home function and sun band for windscreen	•	•	•	S	S	£125.00
4L6 8N6 4GP	Auto-dimming rear-view mirror. Includes light and rain sensors In combination with electronic climate control	• – •	• – •	• – •	– • –	– • –	£245.00 £120.00 £120.00



Electronic climate control



Advanced key

Interior equipment

Order Code		SE	Sport	S line	Black Edition	S1	Total RRP inc VAT*
8N7	High-beam assist. Automatically adjusts headlights from high-beam to dipped-beam when another vehicle is approaching. Includes auto-dimming rear-view mirror and light and rain sensors. Only in combination with Driver's Information System	●	●	●	—	—	£345.00
4L6		—	—	—	●	●	£220.00
4GP							
QE5	Storage and luggage package	●	●	●	●	●	£205.00
6NQ	Cloth headlining – Black. Only in combination with LED interior light package	●	●	S	S	S	£165.00
6E3	Front centre armrest with storage compartment. The front centre armrest will be in mono.pur unless cloth seat upholstery is selected, in which case it will be in cloth	●	●	●	●	●	£125.00
OTD	Rear floor mats	●	●	●	●	●	£60.00
9JD	Smoker's package. Includes ashtray and cigarette lighter. Replaces storage compartment and 12V socket	●	●	●	●	●	£20.00
YIT	Illuminated door sill trims on driver and front-passenger sides including A1 logo	—	●	—	—	—	£395.00

Options are subject to availability and may extend time taken for delivery.

- = Not available
- = Available
- S = Standard

*Total RRP inc VAT – Recommended Retail Price including VAT which is calculated at 20%. This may alter to reflect any change in the applicable VAT rate.



Front centre armrest



Illuminated door sill

Exterior equipment

Make sure your car looks exactly as you want it to by selecting some of our striking options.

Options are subject to availability and may extend time taken for delivery.

- = Not available
• = Available
S = Standard

*Please note that the door mirrors do not fold automatically when the engine is switched off. Mirrors are folded by turning the exterior mirror button.

*Total RRP inc VAT – Recommended Retail Price including VAT which is calculated at 20%. This may alter to reflect any change in the applicable VAT rate.

Order Code		SE	Sport	S line	Black Edition	S1	Total RRP inc VAT*
PAF	Door mirrors – folding.* Includes automatic kerb view function, which tilts the passenger mirror downwards towards the kerb when reverse gear is engaged	•	•	•	•	•	£125.00
PX4	Xenon Plus headlights. Includes LED daytime-running lights, rear LED lights, automatic headlight adjustment, dynamic range control and headlight washers	•	•	S	S	S	£765.00
3FB 4GP	Open sky panoramic sunroof. Comprising glass roof with electric slide-and-tilt control and sunshade at front and rear. Also includes convenience closing from outside via the central locking system. Only in combination with LED interior light package and light and rain sensors. Not available on S1 Sportback	•	•	•	•	•	£695.00
4ZD	High-gloss black styling package. Radiator grille-frame and side air inlets in high-gloss black. Number plate holder and radiator grille in matt black. On S1, horizontal bars in radiator grille are in high-gloss black. When ordered with the quattro exterior styling package (WST), the front spoiler lip is in high-gloss black	•	•	•	–	•	£475.00
4KF	Privacy glass. Dark tinted glass from B-pillar backwards	•	•	•	S	•	£290.00
1D7	Tow-bar preparation. Please consult your local Audi Centre for full details on complete tow-bar fitting costs. Only in combination with storage and luggage package	•	•	•	•	–	£110.00
2Z0	Deletion of model and engine technology designation at rear	•	•	•	•	•	£0.00
2Z7	Deletion of engine technology designation at rear	•	•	•	•	–	£0.00



Panoramic sunroof



High-gloss black styling package (car shown in Audi exclusive exterior paint)



Safety and security

Intelligent technology designed to give you better all-round awareness and safety on the road.

Vehicle driver assistance and safety systems are not a substitute for attentive driving. Drivers retain full responsibility for providing the necessary inputs for safe control of the vehicle. System descriptions within this brochure are provided for information purposes only. System limitations and operational requirements apply. See manual for details.

Options are subject to availability and may extend time taken for delivery.

- = Not available
- = Available
- S = Standard

*Total RRP inc VAT – Recommended Retail Price including VAT which is calculated at 20%. This may alter to reflect any change in the applicable VAT rate.

Order Code		SE	Sport	S line	Black Edition	S1	Total RRP inc VAT*
7X1	Acoustic parking system (rear only). Aids parking by acoustically indicating distances to obstacles. Also available as part of the Comfort package – see page 62 for details	•	•	•	•	•	£345.00
7X4	Audi parking system plus (front and rear). Aids parking by acoustically and visually indicating distances to obstacles	•	•	•	•	•	£595.00
	In combination with Comfort package	•	•	•	•	•	£250.00
8WB	Front fog lights	•	S	S	S	–	£140.00
UG4	Audi hill-hold assist. Designed to prevent roll-back on hills for up to 5 seconds by maintaining brake force (standard with S tronic models)	•	•	•	•	•	£65.00



Acoustic parking system – rear parking sensors



Front fog lights and Audi parking system plus – front parking sensors



Steering wheels

You can choose from a selection of advanced leather multi-function steering wheels, allowing you to control your audio system at the touch of a button.

Order Code		SE	Sport	S line	Black Edition	S1	Total RRP inc VAT*
2PV	3-spoke leather Sport steering wheel	●	—	—	—	—	£165.00
2PK	3-spoke leather multi-function flat-bottomed steering wheel with shift paddles. Only available on S tronic models	—	—	●	S	—	£350.00
2PF	3-spoke leather multi-function flat-bottomed steering wheel	—	—	●	S	●	£250.00
1XW	3-spoke leather Sport multi-function steering wheel. Only in combination with Driver's Information System	●	S	S	—	S	£320.00
1XX	3-spoke leather Sport multi-function steering wheel with shift paddles. Only available in combination with Driver's Information System and S tronic models	●	S	S	—	—	£420.00

Options are subject to availability and may extend time taken for delivery.

- = Not available
- = Available
- S = Standard

*Total RRP inc VAT – Recommended Retail Price including VAT which is calculated at 20%. This may alter to reflect any change in the applicable VAT rate.



Multi-function steering wheel



S1 flat-bottomed steering wheel



Looking after your Audi

When you've chosen your ideal model, it's reassuring to know that it will remain in safe hands. That's why we've created products to protect your Audi, from extended warranties to Audi Complete – our comprehensive service and maintenance package. And there's also a range of Audi accessories and merchandise to choose from, enabling you to further enhance and safeguard your car.





Audi Complete

If you drive under 10,000 miles per annum your vehicle will be placed on a Fixed Inspection Service schedule. If your mileage tends to exceed 10,000 miles per annum it will be placed on the Flexible Service schedule.

Audi Complete is our fixed-cost maintenance plan, which helps you keep your Audi in top condition and stay in control of your finances. For a simple monthly payment, you could cover your car's servicing, maintenance and, if you want, its tyres too.

So not only will you ensure your car runs smoothly, you'll also protect its future resale value. And because everything's covered by one competitive price, there's no need to go anywhere else.

Pricing is completely tailored to your vehicle and takes into consideration the options you have on your vehicle and your likely annual mileage and resultant service schedule. Please speak to your Audi Centre for a personalised quote for Audi Complete.

Service Plan

Choosing an Audi Service Plan provides an easy way to cover all your car's scheduled servicing with a one-off payment. It can take care of everything from fluid and filter changes to your full service, ensuring you retain a full Audi service history. There are no servicing bills to plan for and you'll continue to benefit from today's prices for the length of your agreement.

Order Code	A1	A1 Sportback	S1	S1 Sportback	Total RRP inc VAT*
-	●	●	●	●	£289.00
-	●	●	●	●	£450.00

- = Not available
 ● = Available
 S = Standard

*For further details on Service Schedules please see page 82.

*Total RRP inc VAT - Recommended Retail Price including VAT which is calculated at 20%. This may alter to reflect any change in the applicable VAT rate.

Warranty

All new Audi models come with a three-year warranty as standard, and you can choose to extend this to a four or five-year warranty* for a one-off cost. What's more, if you decide to sell your Audi before the warranty expires, it will be fully transferred to the new owner.

- = Not available
 ● = Available
 S = Standard

*Three-year warranty consists of a two-year unlimited mileage warranty and a third-year warranty with a 60,000-mile limitation. Four-year warranty consists of two-year unlimited mileage coverage, and two further years' coverage with a 75,000-mile limitation. Five-year warranty consists of two-year unlimited mileage coverage, and three further years' coverage with a 90,000-mile limitation.

**Only available prior to registration of your Audi A1. Please contact your Audi Centre for full details.

*Total RRP inc VAT - Recommended Retail Price including VAT which is calculated at 20%. This may alter to reflect any change in the applicable VAT rate.

Order Code		A1	S1	Total RRP inc VAT*
-	Audi Warranty , covering you for unlimited mileage in the first 2 years of ownership, and up to 60,000 miles in the third year. Transferable between owners**	S	S	£0.00
EA6	Audi Warranty , covering you for up to 4 years or 75,000 miles, whichever comes soonest. Cover includes a 2-year unlimited mileage warranty, and up to 75,000 miles in the third and fourth years. Transferable between owners**	●	●	£235.00
EA9	Audi Warranty , covering you for up to 5 years or 90,000 miles, whichever comes soonest. Cover includes a 2-year unlimited mileage warranty, and up to 90,000 miles in the third, fourth and fifth years. Transferable between owners**	●	●	£500.00



Accessories

Choosing an Audi isn't just a matter of deciding on the model you want; it's about creating a car that suits your needs perfectly. And that's why we've developed a whole range of optional accessories to enhance your A1, enabling you to customise it down to the last detail. Like your Audi, all these accessories are developed to the highest possible standard and they're all available exclusively from Audi. To find out more, just visit your local Audi Centre.

Warranty

All of the accessories available on the A1 are covered by a three-year warranty* if they are ordered and included in the purchase price of the car at date of delivery. Any accessories ordered and installed after delivery include a two-year warranty.*

*Excluding Road Angel products. Audi Accessories warranty terms and conditions can be found at audi.co.uk/warrantyterms



Merchandise

From the enthusiasts' motorsport collection to the sophisticated Audi collection, there's a wide variety of adults' and children's clothing, lifestyle accessories and collectables, all of which bear the Audi name.

Please speak to a member of our team at your local Audi Centre to see the full Audi collection and to place an order. A selection of Audi merchandise is also available to buy from audi.co.uk/merchandise



Image shown is the Audi kids' car legends, item number 320.13.004.00

The Audi **Difference**

The experts in Vorsprung durch Technik

Our Audi Approved Master Technicians have undergone an impressive 100,000 hours of training over a 10-year programme to ensure they have the latest technical expertise for maintaining and servicing your Audi. All our Service Advisors undergo a specialist induction and training to ensure they are Audi professionals and able to talk to you about any issues you may have with your Audi vehicle.

Servicing tailored to your needs

Regular servicing is key to safeguarding your Audi's performance and a full service history could help you enhance the future re-sale value. To make servicing easy, the Audi Service Schedules have been designed to work with your individual driving style and vehicle.

We offer two different schedules: the Fixed Inspection Service and the Flexible Service schedule. The conventional Fixed Inspection Service schedule has fixed intervals for the Oil-change Service and Inspection Service, which are determined by time and distance.

With the Flexible Service schedule, the Inspection Service intervals are also fixed but the Oil-change Service intervals are variable. Sensors take account of driving style and conditions to determine when the Oil-change Service is required and the driver is informed via the on-board service interval display.

The choice of Service Schedule will depend on journey type and mileage as well as individual driving style and conditions. The table to the right can be used for guidance but your Audi Centre will help you to determine the most suitable Service schedule for you based on your individual circumstances and preferences.

Fixed Inspection Service Schedule

	Vehicle usage:
Mileage	Less than 10,000 miles per annum Mainly city/town centre driving. Short journeys.
	Service Intervals:
Oil-change Service	Fixed to every 9,000+ miles/1 year
Inspection Service	Fixed to every 19,000+ miles/2 years

Flexible Service Schedule

	Vehicle usage:
Mileage	More than 10,000 miles per annum Motorway and main road driving. Mainly longer distance journeys. Constant speeds.
	Service Intervals:
Oil-change Service	Variable to a maximum of every 19,000+ miles/2 years
Inspection Service	Fixed to every 19,000+ miles/2 years

When a vehicle is frequently used in the following conditions, we recommend a Fixed Inspection Service Schedule, regardless of mileage:

Uneconomical driving styles, e.g. heavy acceleration and braking, constant use of high revs

High engine-loading conditions, e.g. frequent towing and hill climbs

*As indicated by the service interval display. Mileages are approximate as the Service Indicator system uses kilometres as its distance measurement.

Your convenience comes first

At Audi you can choose from a range of convenient services that suit your needs. Why not book a 'service while you wait' appointment* and enjoy our complimentary refreshments while your car is with us? Or, if you need to be mobile, take advantage of one of our courtesy cars which we can even deliver to you.* We guarantee we can service your Audi within 5 days without a courtesy car or within 10 days if you need transport. We will also ensure your car is returned to you with a full valet.

Audi Genuine Parts

You can rest assured that only Audi Genuine Parts will be used on your vehicle. What's more, Audi parts and labour come with a 2-year guarantee.**

No hidden costs

We believe strongly in transparency when it comes to our prices. For added peace of mind, we will give you a quotation over the phone for the work you have requested and email you the price confirmation. We'll consult you if any additional work on your car is needed when it is with us. We won't carry out any extra work without asking your permission first.

All part of the service

Whenever we see an Audi for a service, we connect it directly to our headquarters in Ingolstadt which enables us to check your car's software and make sure it's as up-to-date as possible. If the factory has released a software upgrade for your model, it can be applied immediately - improving anything from your car's efficiency to the precision of its parking system.

Audi Roadside Assistance

Your new car comes complete with 3 years' complimentary roadside assistance and recovery across the UK, provided by Automobile Association Insurance Services Limited. Also included is roadside assistance throughout Europe, managed by Automobile Association Insurance Services Limited.

For further information and terms and conditions please visit audi.co.uk

*Subject to availability.

**Excludes wear and tear.



A1

technical data

Engine	Petrol						Diesel	
	1.0 TFSI	1.0 TFSI	1.4 TFSI	1.4 TFSI	1.4 TFSI*	1.4 TFSI*	1.6 TDI**	1.6 TDI**
Transmission	5-speed manual	7-speed S tronic	6-speed manual	7-speed S tronic	6-speed manual	7-speed S tronic	5-speed manual	7-speed S tronic
Cylinder	3-cylinder	3-cylinder	4-cylinder	4-cylinder	4-cylinder	4-cylinder	4-cylinder	4-cylinder
Displacement, cubic cm	999	999	1395	1395	1395	1395	1598	1598
Max. power ¹ , PS at rpm	95/5000-5500	95/5000-5500	125/5000	125/5000	150/5000	150/5000	116/3500-4000	116/3500-4000
Max. torque, Nm at rpm	160/1500-3500	160/1500-3500	200/1400-4000	200/1400-4000	250/1500-3500	250/1500-3500	250/1500-3000	250/1500-3000
Top speed ² , mph	116	116	127	127	134	134	124	124
0-62mph acceleration, seconds	10.9	10.9	8.8	8.8	7.8	7.8	9.4	9.4
ABI insurance group 1-50 ³	15E	15E	21E	21E	25E	25E	19E	19E
Unladen weight ³ , kg	1035	1065	1080	1115	1120	1130	1150	1175
Gross weight limit, kg	1485	1515	1530	1565	1570	1580	1600	1625
Roof load limit/nose weight, kg	75/50	75/50	75/50	75/50	75/50	75/50	75/50	75/50
Max trailer load unbraked ⁴ , kg	550	570	570	590	590	600	610	620
Max trailer load with 12% gradient ⁴ , kg	1000	1000	1200	1200	1200	1200	1200	1200
Max trailer load with 8% gradient ⁴ , kg	1200	1200	1200	1200	1200	1200	1200	1200
Luggage compartment capacity, rear seats upright, litres**	270	270	270	270	270	270	270	270
Luggage compartment capacity, rear seats folded, litres**	920	920	920	920	920	920	920	920
Fuel tank capacity approx, litres	45	45	45	45	45	45	45	45
Emission standard	EU6	EU6	EU6	EU6	EU6	EU6	EU6	EU6

****Our CO₂ and consumption values are provisional and are currently under review. Revised values will be published if necessary.**

*1.4 TFSI engine with Audi cylinder-on-demand technology.

**Please note that luggage capacity is reduced when a BOSE® surround sound system or Technology package is fitted.

³Highest insurance group rating shown. Group may be lower dependent on trim level. Please visit www.thatcham.org/abigrouprating for details.

Please note: The maximum power output figures are quoted in PS (or Pferdestärke, which is the metric equivalent of brake horsepower). To convert to brake horsepower, divide the PS figure by 1.0139.

⁴The given value was obtained in accordance with the specified measurement procedure (the respective current version of the Directive 80/1269/EEC).

²Top speed is achieved in top gear.

³Vehicle's unladen weight without driver (calculated in accordance with the current version of Directive 80/1268/EEC). The fitting of additional equipment may increase the vehicle's unladen weight and drag coefficient, whereupon the potential carrying capacity and top speed will be correspondingly reduced.

⁴The engine's power output always goes down with increasing altitude. At 1,000m above sea level, and for every additional 1,000m, deduct 10% from the weight of the outfit (trailer load limit + gross weight of the towing vehicle).

A1 technical data

Depending upon your chosen A1 wheel size, different efficiency figures for CO2 emissions and fuel consumption will apply (based on EU directive no. 715/2007 effective from 01/09/14. This table is a quick reference guide to assist you in finding the correct values based on wheel sizes and chosen engine.

****Our CO2 and consumption values are provisional and are currently under review. Revised values will be published if necessary.**

*1.4 TFSI engine with Audi cylinder-on-demand technology.

¹The given value was obtained in accordance with the specified measurement procedure (the respective current version of the Directive 80/1269/EEC).

²Fuel consumption and CO2 emissions figures are obtained under standardised test conditions (Directive 93/116/EEC) using a representative model. This allows direct comparison between different models from different manufacturers, but may not represent the actual fuel consumption achieved in 'real world' driving conditions. More information is available at www.dft.gov.uk/vca

Please note: The maximum power output figures are quoted in PS (or Pferdestärke, which is the metric equivalent of brake horsepower). To convert to brake horsepower, divide the PS figure by 1.0139.

Engine	Petrol						Diesel	
	1.0 TFSI	1.0 TFSI	1.4 TFSI	1.4 TFSI	1.4 TFSI*	1.4 TFSI*	1.6 TDI**	1.6 TDI**
Transmission	5-speed manual	7-speed S tronic	6-speed manual	7-speed S tronic	6-speed manual	7-speed S tronic	5-speed manual	7-speed S tronic
Max. power ¹ , PS at rpm	95/5000-5500	95/5000-5500	125/5000	125/5000	150/5000	150/5000	116/3500-4000	116/3500-4000
CO2 emissions ² , g/km	15" wheels	97	102	-	-	-	92	97
	16" wheels	97	102	115	112	-	92	97
	17" wheels	98	103	117	113	112	111	93
	18" wheels	-	-	120	117	117	116	97
Benefit in kind (BIK)%	15" wheels	14%	15%	-	-	-	16%	17%
	16" wheels	14%	15%	18%	17%	-	16%	17%
	17" wheels	14%	15%	18%	17%	17%	17%	16%
	18" wheels	-	-	19%	18%	18%	18%	17%
Fuel consumption ² , mpg (l/100km) Urban	15" wheels	56.5 (5.0)	52.3 (5.4)	-	-	-	65.7 (4.3)	65.7 (4.3)
	16" wheels	56.5 (5.0)	52.3 (5.4)	44.1 (6.4)	45.6 (6.2)	-	65.7 (4.3)	65.7 (4.3)
	17" wheels	55.4 (5.1)	51.4 (5.5)	43.5 (6.5)	45.6 (6.2)	47.1 (6.0)	47.9 (5.9)	65.7 (4.3)
	18" wheels	-	-	42.8 (6.6)	44.8 (6.3)	46.3 (6.1)	46.3 (6.1)	64.2 (4.4)
Fuel consumption ² , mpg (l/100km) Extra Urban	15" wheels	76.3 (3.7)	74.3 (3.8)	-	-	-	91.1 (3.1)	83.1 (3.4)
	16" wheels	76.3 (3.7)	74.3 (3.8)	68.9 (4.1)	67.3 (4.2)	-	91.1 (3.1)	83.1 (3.4)
	17" wheels	74.3 (3.8)	72.4 (3.9)	68.9 (4.1)	65.7 (4.3)	68.9 (4.1)	67.3 (4.2)	91.1 (3.1)
	18" wheels	-	-	65.7 (4.3)	64.2 (4.4)	65.7 (4.3)	64.2 (4.4)	85.6 (3.3)
Fuel consumption ² , mpg (l/100km) Combined	15" wheels	67.3 (4.2)	64.2 (4.4)	-	-	-	80.7 (3.5)	76.3 (3.7)
	16" wheels	67.3 (4.2)	64.2 (4.4)	57.6 (4.9)	57.6 (4.9)	-	80.7 (3.5)	76.3 (3.7)
	17" wheels	65.7 (4.3)	62.8 (4.5)	56.5 (5.0)	56.5 (5.0)	58.9 (4.8)	58.9 (4.8)	80.7 (3.5)
	18" wheels	-	-	55.4 (5.1)	55.4 (5.1)	56.5 (5.0)	56.5 (5.0)	76.3 (3.7)

S1 quattro technical data

Depending upon your chosen S1 wheel size, different efficiency figures for CO2 emissions and fuel consumption will apply (based on EU directive no. 715/2007 effective from 01/09/14. This table is a quick reference guide to assist you in finding the correct values based on wheel sizes and chosen engine.

*Electronically limited.

**Please note that luggage capacity is reduced when a BOSE® surround sound system or Technology package is fitted.

†Highest insurance group rating shown. Group may be lower dependent on trim level. Please visit www.thatcham.org/abigrouprating for details.

Please note: The maximum power output figures are quoted in PS (or Pferdestärke, which is the metric equivalent of brake horsepower). To convert to brake horsepower, divide the PS figure by 1.0139.

¹The given value was obtained in accordance with the specified measurement procedure (the respective current version of the Directive 80/1269/EEC).

²Top speed is achieved in top gear.

³Fuel consumption and CO2 emissions figures are obtained under standardised test conditions (Directive 93/116/EEC) using a representative model. This allows direct comparison between different models from different manufacturers, but may not represent the actual fuel consumption achieved in 'real world' driving conditions. More information is available at www.dft.gov.uk/vca

⁴Vehicle's unladen weight without driver (calculated in accordance with the current version of Directive 80/1268/EEC). The fitting of additional equipment may increase the vehicle's unladen weight and drag coefficient, whereupon the potential carrying capacity and top speed will be correspondingly reduced.

⁵Vehicle not suitable for towing equipment.

	Petrol
Engine	S1 quattro
Transmission	6-speed manual
Cylinder	4-cylinder
Displacement, cubic cm	1984
Max. power ¹ , PS at rpm	231/6000
Max. torque, Nm at rpm	370/1600-3000
Top speed ² , mph	155*
0-62mph acceleration, seconds	5.8
ABI insurance group 1-50 [†]	33E
Unladen weight ⁴ , kg	1315
Gross weight limit, kg	1765
Roof load limit/nose weight, kg	75/N/A
Max trailer load unbraked ⁵ , kg	N/A
Max trailer load with 12% gradient ⁵ , kg	N/A
Max trailer load with 8% gradient ⁵ , kg	N/A
Luggage compartment capacity, rear seats upright, litres**	210
Luggage compartment capacity, rear seats folded, litres**	860
Fuel tank capacity approx, litres	45
Emission standard	EU6

		Petrol
Engine		S1 quattro
CO ₂ emissions ³ , g/km	17" wheels	162
	18" wheels	166
Benefit in kind (BIK)%	17" wheels	27%
	18" wheels	28%
Fuel consumption ³ , mpg (l/100km) Urban	17" wheels	31.0 (9.1)
	18" wheels	30.7 (9.2)
Fuel consumption ³ , mpg (l/100km) Extra Urban	17" wheels	48.7 (5.8)
	18" wheels	47.9 (5.9)
Fuel consumption ³ , mpg (l/100km) Combined	17" wheels	40.4 (7.0)
	18" wheels	39.2 (7.2)

A1 Sportback technical data

Engine	Petrol						Diesel	
	1.0 TFSI	1.0 TFSI	1.4 TFSI	1.4 TFSI	1.4 TFSI*	1.4 TFSI*	1.6 TDI**	1.6 TDI**
Transmission	5-speed manual	7-speed S tronic	6-speed manual	7-speed S tronic	6-speed manual	7-speed S tronic	5-speed manual	7-speed S tronic
Cylinder	3-cylinder	3-cylinder	4-cylinder	4-cylinder	4-cylinder	4-cylinder	4-cylinder	4-cylinder
Displacement, cubic cm	999	999	1395	1395	1395	1395	1598	1598
Max. power ¹ , PS at rpm	95/5000-5500	95/5000-5500	125/5000	125/5000	150/5000	150/5000	116/3500-4000	116/3500-4000
Max. torque, Nm at rpm	160/1500-3500	160/1500-3500	200/1400-4000	200/1400-4000	250/1500-3500	250/1500-3500	250/1500-3000	250/1500-3000
Top speed ² , mph	116	116	127	127	134	134	124	124
0-62mph acceleration, seconds	11.1	11.1	8.9	8.9	7.9	7.9	9.5	9.4
ABI insurance group 1-50 ³	15E	15E	21E	21E	25E	25E	19E	19E
Unladen weight ³ , kg	1060	1090	1105	1140	1145	1155	1175	1200
Gross weight limit, kg	1580	1610	1625	1660	1645	1655	1695	1720
Roof load limit/nose weight, kg	75/50	75/50	75/50	75/50	75/50	75/50	75/50	75/50
Max trailer load unbraked ⁴ , kg	560	580	590	600	610	610	620	630
Max trailer load with 12% gradient ⁴ , kg	1000	1000	1200	1200	1200	1200	1200	1200
Max trailer load with 8% gradient ⁴ , kg	1200	1200	1200	1200	1200	1200	1200	1200
Luggage compartment capacity, rear seats upright, litres**	270	270	270	270	270	270	270	270
Luggage compartment capacity, rear seats folded, litres**	920	920	920	920	920	920	920	920
Fuel tank capacity approx, litres	45	45	45	45	45	45	45	45
Emission standard	EU6	EU6	EU6	EU6	EU6	EU6	EU6	EU6

****Our CO₂ and consumption values are provisional and are currently under review. Revised values will be published if necessary.**

*1.4 TFSI engine with Audi cylinder-on-demand technology.

**Please note that luggage capacity is reduced when a BOSE® surround sound system or Technology package is fitted.

³Highest insurance group rating shown. Group may be lower dependent on trim level. Please visit www.thatcham.org/abigrouprating for details.

Please note: The maximum power output figures are quoted in PS (or Pferdestärke, which is the metric equivalent of brake horsepower). To convert to brake horsepower, divide the PS figure by 1.0139.

¹The given value was obtained in accordance with the specified measurement procedure (the respective current version of the Directive 80/1269/EEC).

²Top speed is achieved in top gear.

³Vehicle's unladen weight without driver (calculated in accordance with the current version of Directive 80/1268/EEC). The fitting of additional equipment may increase the vehicle's unladen weight and drag coefficient, whereupon the potential carrying capacity and top speed will be correspondingly reduced.

⁴The engine's power output always goes down with increasing altitude. At 1,000m above sea level, and for every additional 1,000m, deduct 10% from the weight of the outfit (trailer load limit + gross weight of the towing vehicle).

A1 Sportback technical data

Depending upon your chosen A1 Sportback wheel size, different efficiency figures for CO2 emissions and fuel consumption will apply (based on EU directive no. 715/2007 effective from 01/09/14. This table is a quick reference guide to assist you in finding the correct values based on wheel sizes and chosen engine.

****Our CO2 and consumption values are provisional and are currently under review. Revised values will be published if necessary.**

*1.4 TFSI engine with Audi cylinder-on-demand technology.

¹The given value was obtained in accordance with the specified measurement procedure (the respective current version of the Directive 80/1269/EEC).

²Fuel consumption and CO2 emissions figures are obtained under standardised test conditions (Directive 93/116/EEC) using a representative model. This allows direct comparison between different models from different manufacturers, but may not represent the actual fuel consumption achieved in 'real world' driving conditions. More information is available at www.dft.gov.uk/vca

Please note: The maximum power output figures are quoted in PS (or Pferdestärke, which is the metric equivalent of brake horsepower). To convert to brake horsepower, divide the PS figure by 1.0139.

Engine	Petrol						Diesel	
	1.0 TFSI	1.0 TFSI	1.4 TFSI	1.4 TFSI	1.4 TFSI*	1.4 TFSI*	1.6 TDI**	1.6 TDI**
Transmission	5-speed manual	7-speed S tronic	6-speed manual	7-speed S tronic	6-speed manual	7-speed S tronic	5-speed manual	7-speed S tronic
Max. power ¹ , PS at rpm	95/5000-5500	95/5000-5500	125/5000	125/5000	150/5000	150/5000	116/3500-4000	116/3500-4000
CO2 emissions ² , g/km	15" wheels	97	102	-	-	-	92	97
	16" wheels	97	102	118	112	-	92	97
	17" wheels	98	103	119	113	112	111	93
	18" wheels	-	-	119	117	117	116	97
Benefit in kind (BIK)%	15" wheels	14%	15%	-	-	-	16%	17%
	16" wheels	14%	15%	18%	17%	-	16%	17%
	17" wheels	14%	15%	18%	17%	17%	17%	16%
	18" wheels	-	-	18%	18%	18%	18%	17%
Fuel consumption ² , mpg (l/100km) Urban	15" wheels	56.5 (5.0)	52.3 (5.4)	-	-	-	65.7 (4.3)	65.7 (4.3)
	16" wheels	56.5 (5.0)	52.3 (5.4)	42.8 (6.6)	45.6 (6.2)	-	65.7 (4.3)	65.7 (4.3)
	17" wheels	55.4 (5.1)	51.4 (5.5)	42.8 (6.6)	45.6 (6.2)	47.1 (6.0)	47.9 (5.9)	65.7 (4.3)
	18" wheels	-	-	42.1 (6.7)	44.8 (6.3)	46.3 (6.1)	46.3 (6.1)	64.2 (4.4)
Fuel consumption ² , mpg (l/100km) Extra Urban	15" wheels	76.3 (3.7)	74.3 (3.8)	-	-	-	91.1 (3.1)	83.1 (3.4)
	16" wheels	76.3 (3.7)	74.3 (3.8)	67.3 (4.2)	67.3 (4.2)	-	91.1 (3.1)	83.1 (3.4)
	17" wheels	74.3 (3.8)	72.4 (3.9)	67.3 (4.2)	65.7 (4.3)	68.9 (4.1)	67.3 (4.2)	91.1 (3.1)
	18" wheels	-	-	64.2 (4.4)	64.2 (4.4)	65.7 (4.3)	64.2 (4.4)	85.6 (3.3)
Fuel consumption ² , mpg (l/100km) Combined	15" wheels	67.3 (4.2)	64.2 (4.4)	-	-	-	80.7 (3.5)	76.3 (3.7)
	16" wheels	67.3 (4.2)	64.2 (4.4)	55.4 (5.1)	57.6 (4.9)	-	80.7 (3.5)	76.3 (3.7)
	17" wheels	65.7 (4.3)	62.8 (4.5)	55.4 (5.1)	56.5 (5.0)	58.9 (4.8)	58.9 (4.8)	80.7 (3.5)
	18" wheels	-	-	54.3 (5.2)	55.3 (5.1)	56.5 (5.0)	56.5 (5.0)	76.3 (3.7)

S1 Sportback quattro Petrol technical data

Depending upon your chosen S1 Sportback wheel size, different efficiency figures for CO2 emissions and fuel consumption will apply (based on EU directive no. 715/2007 effective from 01/09/14. This table is a quick reference guide to assist you in finding the correct values based on wheel sizes and chosen engine.

*Electronically limited.

**Please note that luggage capacity is reduced when a BOSE® surround sound system or Technology package is fitted.

*Highest insurance group rating shown. Group may be lower dependent on trim level. Please visit www.thatcham.org/abigrouprating for details.

Please note: The maximum power output figures are quoted in PS (or Pferdestärke, which is the metric equivalent of brake horsepower). To convert to brake horsepower, divide the PS figure by 1.0139.

¹The given value was obtained in accordance with the specified measurement procedure (the respective current version of the Directive 80/1269/EEC).

²Top speed is achieved in top gear.

³Fuel consumption and CO2 emissions figures are obtained under standardised test conditions (Directive 93/116/EEC) using a representative model. This allows direct comparison between different models from different manufacturers, but may not represent the actual fuel consumption achieved in 'real world' driving conditions. More information is available at www.dft.gov.uk/vca

⁴Vehicle's unladen weight without driver (calculated in accordance with the current version of Directive 80/1268/EEC). The fitting of additional equipment may increase the vehicle's unladen weight and drag coefficient, whereupon the potential carrying capacity and top speed will be correspondingly reduced.

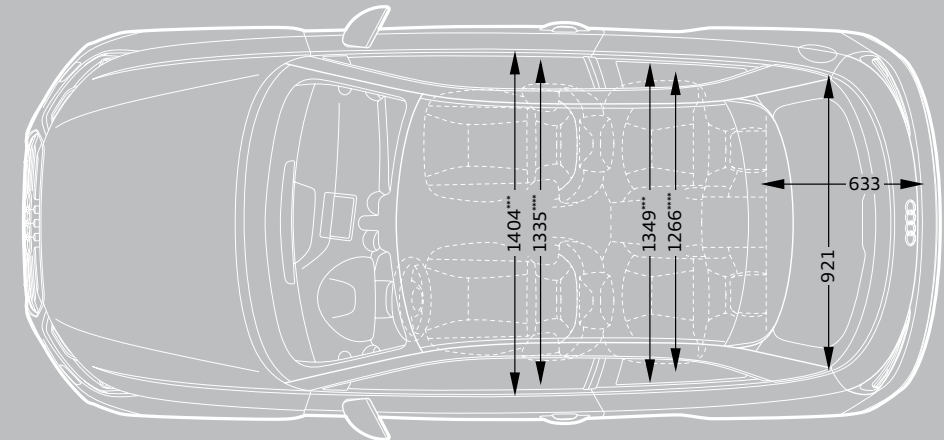
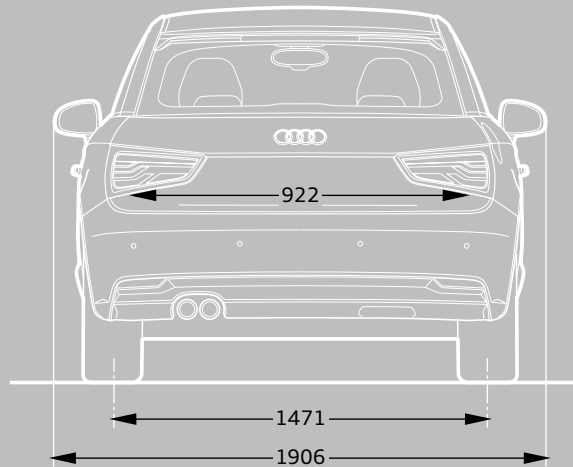
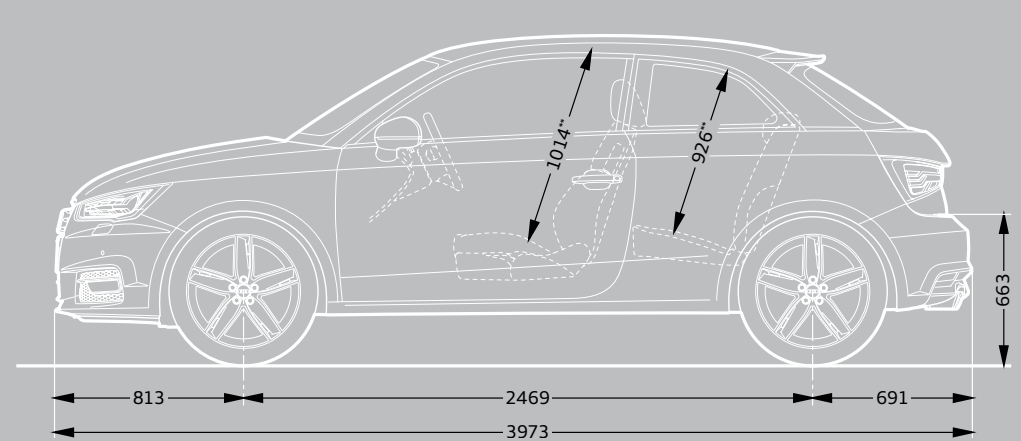
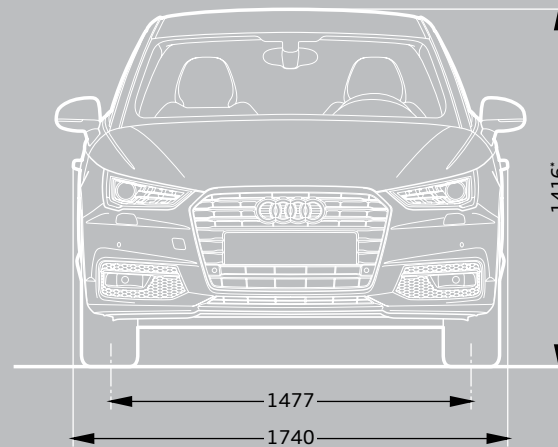
⁵Vehicle not suitable for towing equipment.

	Petrol
Engine	S1 quattro
Transmission	6-speed manual
Cylinder	4-cylinder
Displacement, cubic cm	1984
Max. power ¹ , PS at rpm	231/6000
Max. torque, Nm at rpm	370/1600-3000
Top speed ² , mph	155*
0-62mph acceleration, seconds	5.9
ABI insurance group 1-50 ³	33E
Unladen weight ⁴ , kg	1340
Gross weight limit, kg	1790
Roof load limit/nose weight, kg	75/N/A
Max trailer load unbraked ⁵ , kg	N/A
Max trailer load with 12% gradient ⁵ , kg	N/A
Max trailer load with 8% gradient ⁵ , kg	N/A
Luggage compartment capacity, rear seats upright, litres**	210
Luggage compartment capacity, rear seats folded, litres**	860
Fuel tank capacity approx, litres	45
Emission standard	EU6

		Petrol
Engine		S1 quattro
CO2 emissions ³ , g/km	17" wheels	166
	18" wheels	168
Benefit in kind (BIK)%	17" wheels	28%
	18" wheels	28%
Fuel consumption ³ , mpg (l/100km) Urban	17" wheels	30.7 (9.2)
	18" wheels	30.4 (9.3)
Fuel consumption ³ , mpg (l/100km) Extra Urban	17" wheels	47.9 (5.9)
	18" wheels	47.1 (6.0)
Fuel consumption ³ , mpg (l/100km) Combined	17" wheels	39.8 (7.1)
	18" wheels	38.7 (7.3)

A1 dimensions

The technical drawings opposite show the exact dimensions of the A1, so you can check everything – from whether the car will fit in your garage to whether your luggage will fit in the boot.



Dimensions were measured with vehicle at unladen weight.

Turning circle approx 10.7m.

Dimensions in millimetres.

*Including roof aerial, the vehicle height is 1,431mm

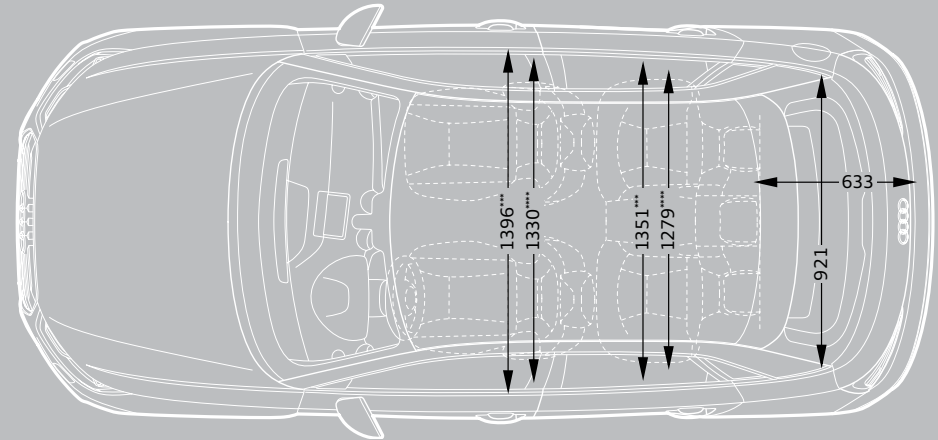
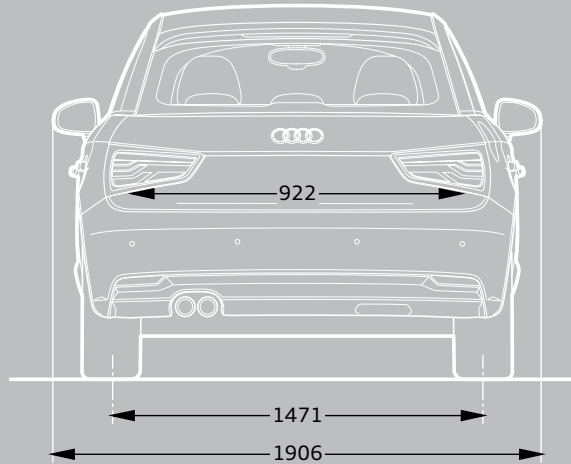
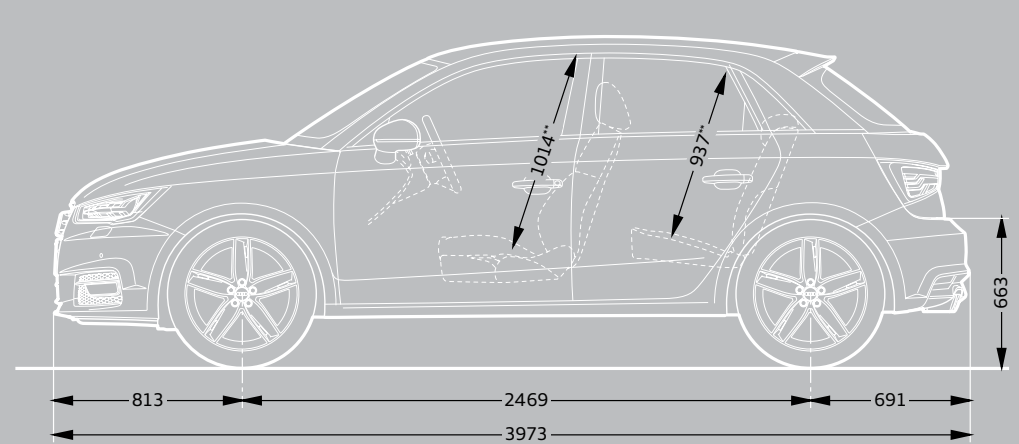
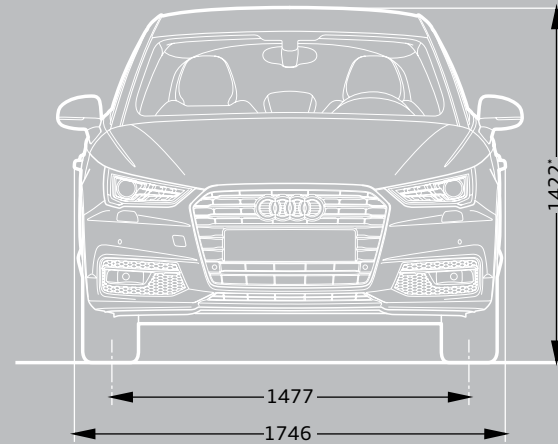
**Maximum headroom

***Elbow room width

****Shoulder room width

A1 Sportback dimensions

The technical drawings opposite show the exact dimensions of the A1 Sportback, so you can check everything – from whether the car will fit in your garage to whether your luggage will fit in the boot.



Dimensions were measured with vehicle at unladen weight.

Turning circle approx 10.7m.

Dimensions in millimetres.

*Including roof aerial, the vehicle height is 1,438mm

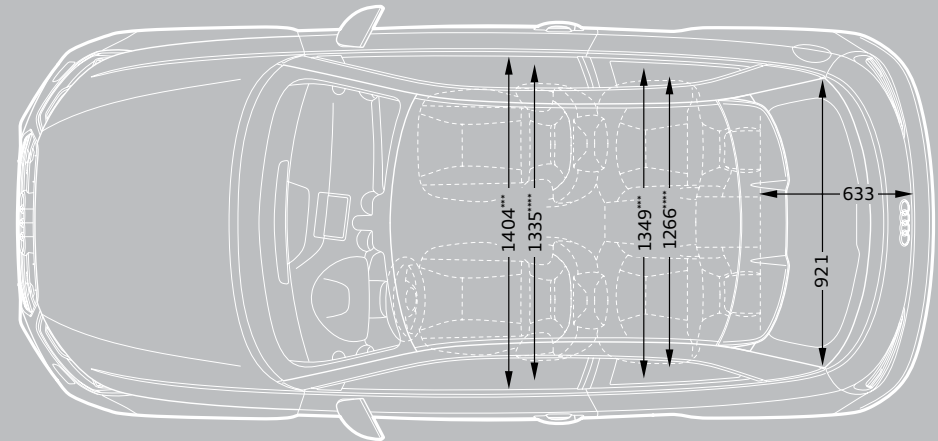
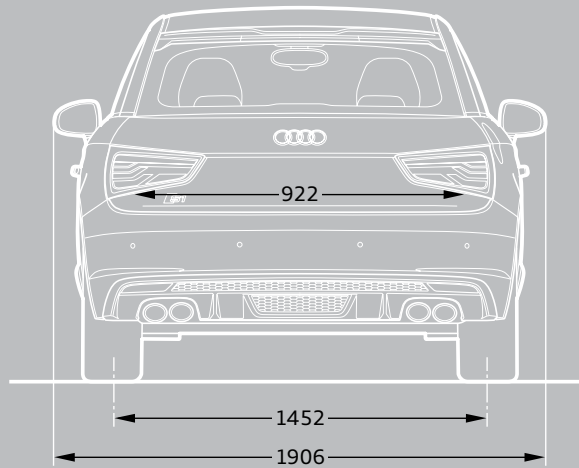
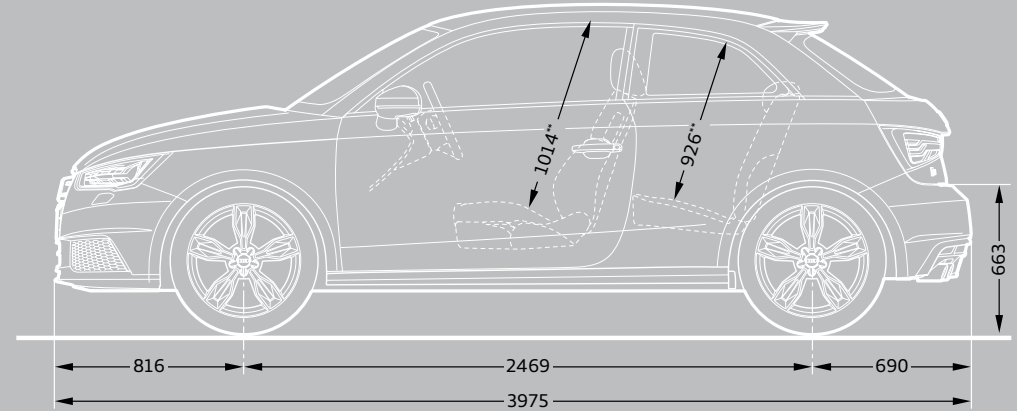
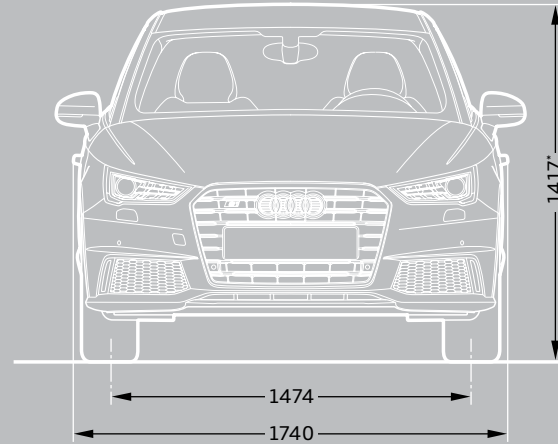
**Maximum headroom

***Elbow room width

****Shoulder room width

S1 dimensions

The technical drawings opposite show the exact dimensions of the S1, so you can check everything – from whether the car will fit in your garage to whether your luggage will fit in the boot.



Dimensions were measured with vehicle at unladen weight.

Turning circle approx 10.7m.

Dimensions in millimetres.

*Including roof aerial, the vehicle height is 1,431mm

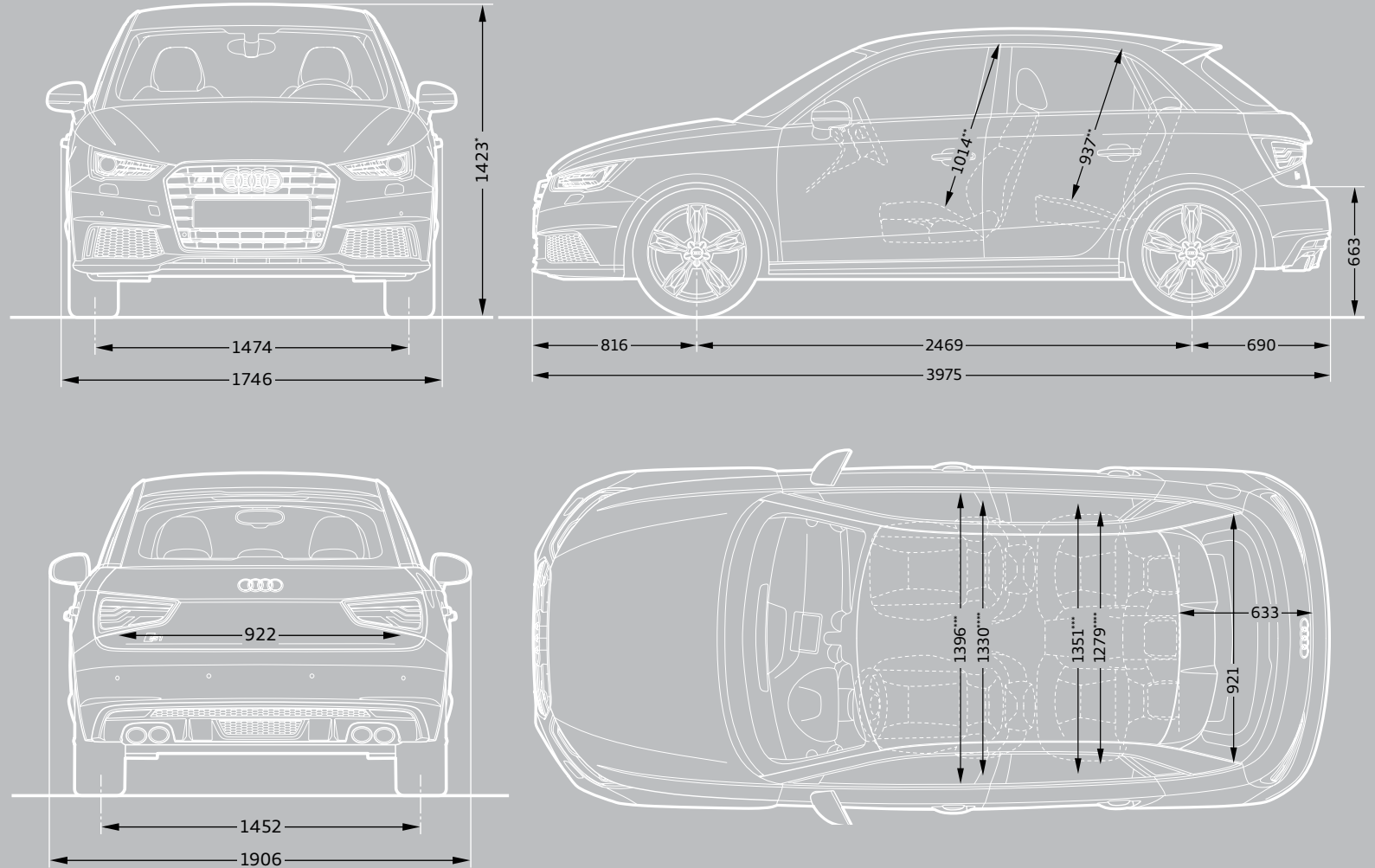
**Maximum headroom

***Elbow room width

****Shoulder room width

S1 Sportback dimensions

The technical drawings opposite show the exact dimensions of the S1 Sportback, so you can check everything – from whether the car will fit in your garage to whether your luggage will fit in the boot.



Dimensions were measured with vehicle at unladen weight.

Turning circle approx 10.7m.

Dimensions in millimetres.

*Including roof aerial, the vehicle height is 1,438mm

**Maximum headroom

***Elbow room width

****Shoulder room width

Pricing and Additional information

Welcome to Audi

By placing an order for your Audi, you're choosing to drive a car created in the spirit of Vorsprung durch Technik. And because we believe the service we offer should reflect the quality of our cars, we want to let you know exactly what you can expect from us, now and in the future.

Audi Promise

Audi Centres

We guarantee that all our Centres will be open as follows:

Sales: Monday to Friday 9am–6pm
Saturday 9am–5pm

Service: Monday to Friday 8am–6pm
Saturday 8.30am–1pm

Sunday opening is at local discretion.

New car delivery

Once we've confirmed a delivery date for your car, we'll keep you informed of progress. Subject to reasonable notice, we'll then deliver it to a place of your choice, whether that's your home or work. In the unlikely event of a delay, we'll provide a courtesy car to minimise inconvenience and keep you mobile.

Information in this guide

We've done all we can to make the prices, specifications, technical details and all other information you see in this guide accurate at the time of publication. However, as our products are constantly being updated, we recommend checking the details with your Audi Centre. We reserve the right to change prices or specifications at any time.

All prices are subject to VAT, currently charged at 20%, but this may alter to reflect any change in the applicable VAT rate.

Delivery charges and number plates are not included in the Total RRP inc VAT vehicle price.

Delivery charge	£504.99
Number plate	£20.00
VAT	£105.01
Total	£630.00

Recommended On-the-Road (OTR) prices include the delivery and number plate charges above, Road Fund Licence (which may vary depending on model/transmission - see table for details) and first registration fee at £55.00.

The images featured in this guide are for illustrative purposes only. They may feature left-hand drive vehicles and include equipment that is not UK specification.

Audi Customer Care

Every new Audi benefits from the comprehensive Audi Customer Care Package, which comprises:

- ▶ A 3-year Audi warranty, which covers you for unlimited mileage in the first 2 years of ownership, with a full mechanical and electrical warranty which covers you for up to 60,000 miles in the 3rd year
- ▶ A 3-year paint warranty
- ▶ A 12-year anti-corrosion warranty
- ▶ 3 years' UK roadside assistance and recovery

You also have the option when ordering your new car of choosing a 4-year or 5-year Audi warranty. Speak to a member of the sales team for more information.

Warranty terms and conditions apply. Please see audi.co.uk/warrantyterms for further details.

Audi tax-free sales

If you are entitled to purchase a vehicle free of VAT, normally through military or diplomatic privilege, please contact your local Audi Centre for full details.

Should you have any difficulty obtaining the information you require, please call 0870 241 5663.

Audi Financial Services

Audi Financial Services specialises in providing funding solutions for Audi drivers. Whether your Audi is for private or business use, there is a range of funding options to choose from.

Below is the full range of finance products, which comprises:

- ▶ Solutions – a Personal Contract Plan
- ▶ Hire purchase

- ▶ Lease purchase
- ▶ Finance lease
- ▶ Contract hire

With all products, you can choose a fixed-cost maintenance plan designed to help you budget accurately.

No matter which Audi model you choose, your local Audi Centre can provide you with a personalised quote designed to fit your budget and motoring needs.

Audi Financial Services is a trading name of Volkswagen Financial Services (UK) Limited. An offer of finance depends on certain conditions. Available to people over 18 in the UK only.

Audi Insurance

To ensure you can start enjoying your new car from day one, the first five days' insurance is included as standard with all new Audi models. To activate simply call 0330 303 6900, provide us with a few details, and we'll send a cover note to your Audi Centre. They will then tax your car and you can drive it away. Telephone lines are open Monday to Friday 8am – 8pm and Saturday 9am – 4pm. For details of our full range of Insurance products visit insurewithaudi.co.uk

Audi Financial Services is a trading name of Volkswagen Financial Services (UK) Limited ("VWFS UK"). Registered in England and Wales No. 2835230. Registered Office: Brunswick Court, Yeomans Drive, Blakelands, Milton Keynes MK14 5LR. Financial and consumer credit services are provided by VWFS UK. Volkswagen Financial Services (UK) Limited is authorised and regulated by the Financial Conduct Authority, registration number 311988. Audi Motor Insurance from Audi Financial Services is sold and administered by Ageas Retail Limited, registered in England and Wales No. 1324965. Registered office: Ageas House, Hampshire Corporate Park, Templars Way, Eastleigh, Hampshire SO53 3YA. Ageas Retail Limited is authorised and regulated by the Financial Conduct Authority (FCA), registration number 312468. Volkswagen Financial Services (UK) and Ageas Retail Limited are not part of the same corporate group.

CO2 data and information

CO2 emissions-based Vehicle Excise Duty

Vehicle Excise Duty (Road Fund Licence) is based upon the amount of Carbon Dioxide (CO2) a vehicle emits, measured in grams per kilometre (g/km).

First year VED rates apply to the first year of ownership. Annual VED rates apply thereafter. The DVLA has created thirteen categories:

Petrol and Diesel engines	First year	Annual rate (second year onwards)
A – up to 100g/km	£0.00	£0.00
B – 101 to 110g/km	£0.00	£20.00
C – 111 to 120g/km	£0.00	£30.00
D – 121 to 130g/km	£0.00	£110.00
E – 131 to 140g/km	£130.00	£130.00
F – 141 to 150g/km	£145.00	£145.00
G – 151 to 165g/km	£180.00	£180.00
H – 166 to 175g/km	£295.00	£205.00
I – 176 to 185g/km	£350.00	£225.00
J – 186 to 200g/km	£490.00	£265.00
K – 201 to 225g/km	£640.00	£290.00
L – 226 to 255g/km	£870.00	£490.00
M – over 255g/km	£1,100.00	£505.00

Vehicle Excise Duty (VED) rates correct at time of going to print, but these may alter to reflect any change in the applicable VED rate.

Audi Connect

An external data source is required to enable Audi Connect online services. One of two can be used:

1. A mobile telephone with Bluetooth SIM Access Profile – to check the compatibility of your mobile phone and whether it has SIM Access Profile compatibility, please visit www.audi.co.uk/phonecompatibility
2. A separate SIM card which can be inserted in the included SIM card reader. When a separate SIM card is used, hands-free phone calls are possible using the SIM card or by connecting a different mobile telephone via Bluetooth Hands Free Profile

Online services are only available for mobile phone contracts or SIM cards which include a data option. Online services will only be available within the coverage of the mobile phone network; there may be additional costs for the use of these services (charges and billing correspond to the personal mobile phone contract or SIM card contract). Due to high data volumes, a mobile phone contract including an unlimited or high usage data plan is strongly recommended. The content and scope of the online based services offered may vary.

The Audi Connect services are provided for at least one year from vehicle delivery. After 24 months from delivery of the vehicle, the term of the Audi Connect services will be extended free of charge once for 12 months.

Please note that the services received are also dependent on the capability of your mobile phone.

Google and the Google logo are registered trademarks of Google Inc. The availability of services supported by Audi Connect varies from country to country.





Audi UK

Customer Services
Selectapost 29
Sheffield
S97 3FG
0800 699888
audi.co.uk

Information in this guide is
subject to change without notice.

© Audi (UK)

Printed in the UK
Edition 2.3 11/15
2016 Model Year

Images for illustrative purposes only.