



The Audi A7 and S7 Sportback

Pricing and Specification Guide

Valid from October 2015

Personalising your Audi A7

This guide has been designed to help you tailor and price your Audi A7 quickly and logically. At the back, you will find information on CO2 emissions-based taxation and the other services offered by Audi, including Finance and Insurance. You can also configure your Audi A7 online at audi.co.uk



Get more from this brochure with the free Audi Vision app.

Audi Vision brings our brochures to life through Augmented Reality. It works by recognising images on a page through your device's camera. Suitable for phones or tablets, download it for free from the App Store or Google Play. Once downloaded, simply open the app and scan the cover of your guide. Then look out for any page with the Audi Vision logo, you can then hold your device over the page and watch as you get exclusive access to extra images, information and video content.



The Audi A7 Sportback

Audi Matrix LED headlights	8
quattro®	12
ultra	14
Technology	18
Audi Connect	20
S7	22

Model details and prices

A7 SE Executive model equipment	24
A7 S line model equipment	26
A7 Black Edition model equipment	28
S7 model equipment	30
Model prices	32

Colour and upholstery

Paint	34
Upholstery and seats	38
Colour and trim guide	48

Inlays

Options

Wheels and tyres	54
Suspension	58
Packages	60
Headlights	63
Interior equipment	64
Exterior equipment	65
Audio and communication	66
Safety and security	67

Looking after your Audi

Audi Complete and Warranty	68
Accessories	71
Merchandise	72
Audi Difference	73

Technical details

Technical data	74
Dimensions	78
Pricing and Additional information	80





Vorsprung durch Technik

Three words that express the very essence of Audi. Vorsprung durch Technik isn't a slogan. It's our way of seeing the world. It is the driving force behind our history of innovation that continues into the 21st century. Indeed, many technologies that Audi pioneered remain in our cars today. Some are milestones in the history of the motorcar. From our beginnings in 1899, to the Auto Union team's Grand Prix successes in the 1930s and our more recent wins at Le Mans, we have always been at the forefront of the motor industry.

Vorsprung durch Technik makes us who we are. To see more of its influence, just read on.



The Audi A7 Sportback. Style. Refinement. Performance.

At once striking and elegant, the Audi A7 Sportback fuses the luxury and refinement of an executive saloon with the looks and agility of a coupé. A sweeping roofline and wide, imposing stance more than hint at its performance credentials. Its spacious interior, crafted with meticulous attention to detail, envelops driver and passengers in supreme comfort. And it features an array of advanced technologies that not only enhance your drive, but also achieve remarkable efficiency without ever compromising performance. All combining to create a car not just with an unmistakable style, but a powerful presence.







Matrix LED lights

**That turn night
into day.
And more.**

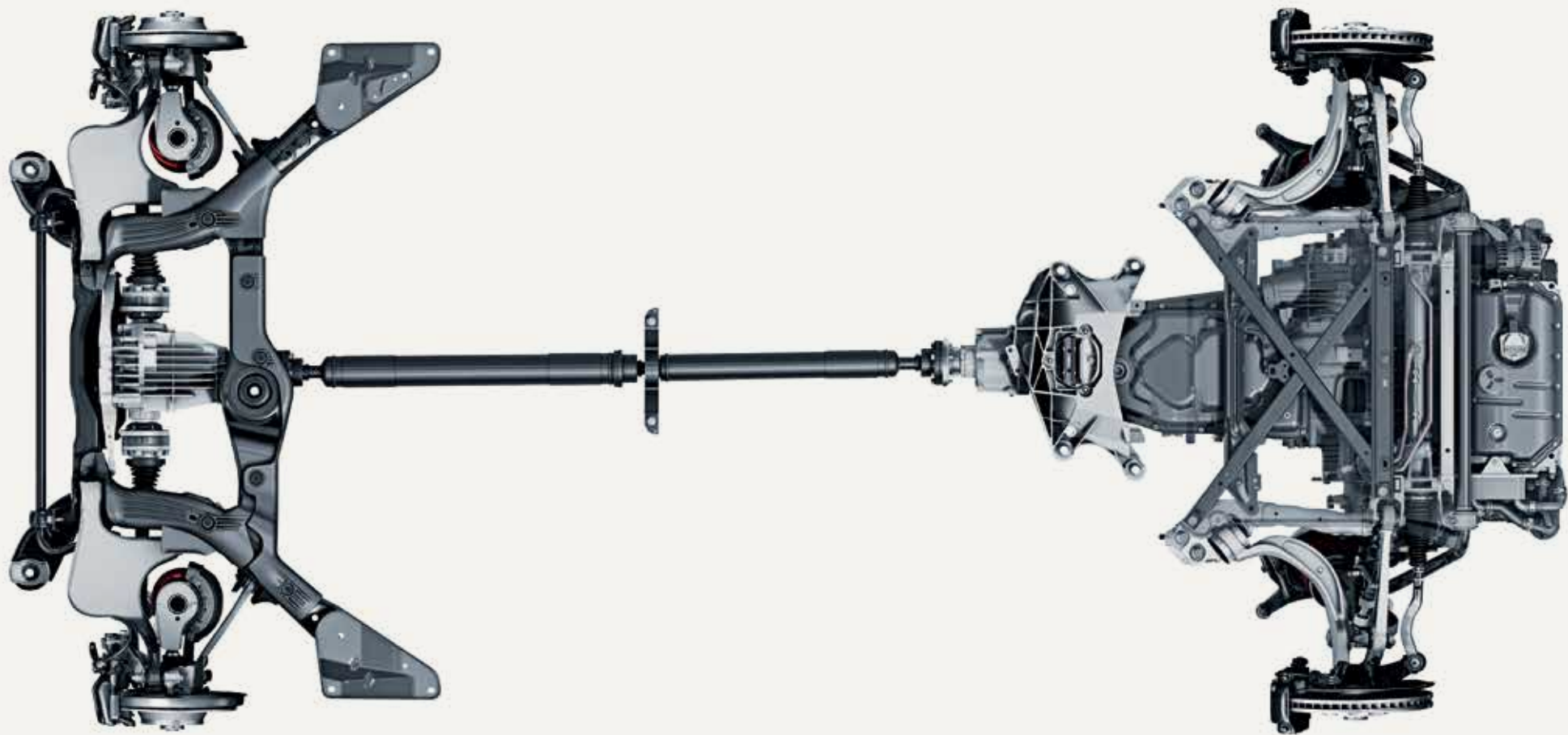
The Audi A7 Sportback's cutting-edge Matrix LED headlights don't just produce a light that is similar in colour to daylight. They also incorporate remarkable technology that adapts automatically to the car's surroundings.

Fitted as standard on the A7 Sportback S line and Black Edition, sensors and an inbuilt camera allow Matrix LED headlights to detect the rear and oncoming lights of other road users, as well as ambient light in built-up areas. The technology then reacts by dipping individual LEDs to prevent dazzle, while still fully illuminating the remainder of the road.

Using the vehicle's navigation data, Matrix LED technology can even anticipate corners, adjusting LEDs as you negotiate the bend. The result is a much wider visual range, benefitting both you and other road users. Dynamic sweeping indicators complete the striking look both at the front and rear.







quattro®

A heightened driving experience with ultimate control: it's what makes quattro such a thrilling enhancement to the A7 Sportback drive.

quattro is Audi's intuitive all-wheel-drive system. Constantly analysing grip and distributing power to where it's needed most, the four permanently driven wheels deliver more responsive acceleration and assured grip on all surfaces.

And that's especially true when road conditions change. If one wheel loses traction, quattro makes sure the others compensate to keep the car in control. Giving you a dynamic driving experience with superior handling – even in less-than-perfect driving conditions.

quattro® with Sports differential

Fitted as standard on the S7 Sportback and as an option on the A7 Sportback quattro models, quattro with Sports differential takes the driving dynamics of quattro to a whole new level, ensuring outstanding stability and superior acceleration performance.

By distributing torque variably to each of the rear wheels, the car steers even more spontaneously and directly. When cornering, for example, power is redirected to the outside rear wheel, literally pushing the car through the bend. Not only is acceleration more responsive, it requires less steering effort – for a more agile, enhanced drive.

ultra

Reducing consumption, without reducing driving pleasure.

At Audi, doing less is something we're trying to do more of. We're constantly working to use less fuel, release less CO₂ and waste less energy. Audi ultra brings together specialist Audi knowledge and the latest innovations to create our most optimised models yet: ultra-efficient, dynamic and powerful.

The A7 Sportback's 3.0-litre TDI ultra engine delivers an impressive 218PS of power with low fuel consumption and CO₂ emissions from just 124g/km. Yet, with acceleration of 0-62mph in just 7.3 seconds and a top speed of 148mph, none of your driving pleasure is sacrificed.

Nor is any of the refinement of the A7. Available on SE Executive and S line trim levels without equipment restrictions, the Audi A7 ultra offers an irresistible package of luxury, efficiency and performance.











Technology

Technology is advancing at an ever faster pace, and choosing the right technology for your car is an important decision.

Here at Audi, we strive to make that choice as easy as possible, so we have packaged some of our most popular equipment together for simplicity, but also added value.

The most popular of which are our Technology pack and Technology pack Advanced, featuring our top-of-the-range HDD navigation and connectivity systems. For further details please see page 60.



MMI Navigation Plus with MMI Touch

With HDD-based MMI navigation plus with MMI Touch, you can let yourself be guided to your destination with even greater ease by the 8" display with 3D map view and 3D displays of places of interest and landmark buildings. Destinations can be entered via speech dialogue, the MMI rotor, or the MMI touchpad which recognises handwriting.



Head-up Display

An advanced system which projects key driving-related information in colour graphic display, into your field of vision, so there is no need to take your eyes off the road.



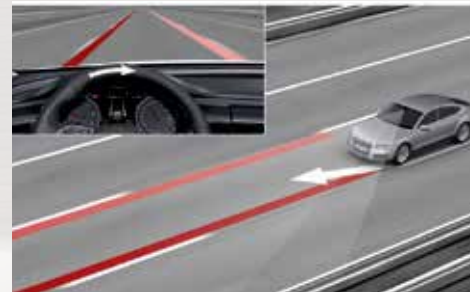
Audi Phone Box

The most convenient way to both use and charge your mobile phone, simply by placing it in the Audi Phone Box storage compartment in the front centre armrest. Audi Phone Box creates a 'wireless' connection to the car for improved reception quality, hands-free facility and voice control. Mobile phones can be charged via the USB port.



Audi Side Assist

A clever assistance system for multi-lane roads is Audi side assist which helps alert you to other vehicles in your blind spot when changing lanes. Using radar sensors discreetly hidden in the rear bumper, other vehicles are detected and the driver alerted with a visual warning signal in the door mirror.



Audi Active Lane Assist

An advanced Audi safety system which helps to keep you in lane by means of gentle steering intervention when lane boundary markings are detected. Particularly useful on long motorway journeys is the new active lane centring feature which gives steering assistance to keep your vehicle in the centre of the lane and enhance your driving comfort.



Adaptive Cruise Control with Stop&Go

The Adaptive cruise control with Stop&Go featuring Pre-sense plus is the most innovative of Audi's driving assistance systems. Vehicles ahead are detected by a radar sensor and the distance between the vehicles is kept more or less constant by automatic braking or accelerating. With Pre-sense plus, you add the ultimate in protection with enhanced brake assist functions which can detect and warn of imminent collision threats, as well as initiate maximum braking to help avoid or minimise collisions if possible.

Audi



WiFi hotspot

Connects your mobile devices to the internet



Email

Your emails can be transmitted to your Audi MMI and read out conveniently†



Text messages

Messages are displayed or read out to you; you can also reply using the dictation function†



Twitter

Enables you to tweet and receive updates on the move. With text-to-speech and other convenient text functions



Weather information

Gives you forecasts and maps for your chosen destination



News online (individual)

Text and images from your favourite news sources with text-to-speech function



Map update online

The map version delivered can be updated free of charge with the first 5 navigation updates which are issued at intervals of 6 months. In conjunction with Audi Connect, the update can be carried out online in the vehicle



City events

Up-to-date information about events happening at your destination



Points of interest

Search Google™ using voice control



Traffic information online

Complements the dynamic route guidance with real-time traffic flow information for individual stretches of road



myAudi – special destinations

Import individual point-of-interest (POI) lists to your Satellite Navigation System via the myAudi portal



Train information

Find departure and arrival times and platform information while you're on the road (also available for other types of public transport such as underground systems)



Picturebook navigation

Uses GPS data from your photos to get you to your destination



Country specific information

The legal regulations for a specific country, such as speed limits or whether it is compulsory to carry a high-visibility vest or display a motorway toll sticker, are displayed when crossing a border



Fuel prices

Information on filling stations with the cheapest prices in your selected search area



Parking information

Helps you find car parks nearby and, where available, information on prices and currently vacant spaces



Flight information

Get information about departure and arrival times as well as the corresponding gates and search directly for flight numbers



Access smartphone voice control

Such as Siri (iPhone 4S and higher). By pressing and holding the voice control button on the multi-function leather steering wheel, you can access the voice control function of the Bluetooth-connected smartphone directly even while driving



Navigate with Google Earth™ and Google Street View™

Uses high-resolution aerial and satellite images as well as photos to guide you to your destination with ease



Connect

Stay networked on the move.

Being inside your car shouldn't mean losing touch with the outside world. That's why, with Audi Connect, the A7 Sportback creates a link between you and the Internet.

With high-speed, 4G Internet access in your car, you can go online to access information, entertainment and Google Earth™ navigation maps by scrolling, tapping or speaking your commands. Audi Connect can even read aloud your text messages and allows you to dictate a response. And, with a wireless hotspot within the car, passengers can connect up to 8 mobile devices – to browse the Internet, download emails, or access social media.

With Audi Connect, the world is at your fingertips.

Please note that an external data source is required to enable Audi Connect online services. Terms and conditions apply to certain Audi Connect functions. Please see page 81 for additional information.
*Only available if your mobile phone has the Bluetooth profile MAP (Message Access Profile)





S7

Beautiful. Powerful. Efficient.

The S badge on an Audi model signifies something special. And the S7 Sportback is no exception.

An enhanced 4.0-litre TFSI 450PS V8 engine, capable of 0-62mph in just 4.6 seconds. Sports adaptive air suspension. quattro® all-wheel-drive with Sports differential. All providing breath-taking performance, harnessed with exceptional agility and handling.

And yet, with innovations like cylinder-on-demand technology that detects different driving styles and adapts engine output accordingly, high performance is intelligently balanced with economy.

Luxury and sportiness: the interior of the S7 unites both, immersing you in total comfort, while staying true to the car's performance credentials. Electrically adjustable leather S Sports seats embody this principle, while aluminium infused instrument controls, pedals and steering all add a dash of sporting flair. In the Audi S7, refinement has never felt so dynamic.

A7 SE Executive model equipment

All A7 Sportback models have the following items of standard equipment

Engines and Efficiency

Automatic Start-stop system with energy recovery

Efficiency programme – the Driver's Information System comes with an efficiency programme which offers up-to-the minute advice on ways to help improve fuel economy as you drive

Recuperation – the kinetic energy produced from braking or coasting is converted into electrical energy and stored temporarily in the battery. When accelerating, this energy is used, relieving the load on the alternator and can result in a fuel saving of up to 3%

Wheels, tyres and suspension

19" x 8.5J '5-arm Y' design alloy wheels with 255/40 R19 tyres

Audi drive select – Features four pre-configured modes (Comfort, Auto, Dynamic and Efficiency), allowing the driver to electronically adjust the engine, transmission and steering

Space-saver spare wheel

Dynamic suspension

Lighting

All-weather LED headlights – LEDs for all front lighting functions. LED technology provides lower energy consumption and enhanced contrast with a colour similar to daylight, for increased safety and good recognition by other road users. Includes all-weather light function to reduce the risk of the driver being dazzled when visibility is poor (in fog, rain or snow)

Dynamic rear indicator – the rear indicators dynamically sweep from inside to out within 0.15 seconds. This helps to clearly identify not only that the vehicle is turning, but in which direction – increasing road safety as it is easier for other road users to determine which way cars are moving in a shorter amount of time

LED tail lights

Audio and communication

MMI Navigation (SD card based) – includes: 6.5-inch MMI colour display with high quality map display, voice control using whole words, dynamic route guidance, additional arrow display in Driver's Information System

Mobile telephone preparation – Bluetooth interface

Audi Music Interface – Universal connection for use with stereo audio sources, USB and MP3 devices including Apple iPod generation 4 onwards (iPod, iPod classic, iPod mini, iPod nano, iPod photo, iPod video, iPod Touch). The interface provides charging function (dependent on device)

MMI Radio Plus and DAB – including:
- 2 x SDHC memory card readers (up to 32GB)
- Single CD player and memory card reader that supports MP3, WMA and AAC
- TP memo – automatically saves traffic news when driving

Colour Driver's Information System – with 7" high resolution TFT screen. Shows information from the driver assistance systems; media in use, rest recommendation, telephone menu, outside temperature and MMI content

Audi Sound System

- 6 channel amplifier
- 180 Watt amplifying capacity
- 10 loud speakers including subwoofer located in spare wheel well



19 x 8.5J '5-arm Y' design alloy wheels



MMI Navigation (SD card based)



All-weather LED headlights

Exterior equipment

Exterior mirrors – heated and electrically adjustable, with automatic kerb view function which tilts the passenger mirror downwards towards the kerb when reverse gear is engaged. Includes memory function

Power operated boot lid

High-gloss package – includes window trim surround in aluminium and B-pillar trim in high-gloss black finish

Retractable rear spoiler

Interior equipment

Deluxe 4-zone air conditioning

3-spoke leather trimmed multi-function Sports steering wheel – with paddles

Auto-dimming rear view mirror

Aluminium delta inlays

Door sill trims with aluminium inlay

Front centre armrest

Front and rear floor mats

Non-smoking package

Seating

Standard seats in Milano leather upholstery

Electrically adjustable front seats including electrically adjustable 4 way lumbar support – including:

- Forwards/backwards position
- Seat height and angle
- Backrest angle
- Memory function for driver's side

Heated front seats

Split-folding rear seats

Assistance systems

Audi parking system plus – acoustic and visual park assist system for front and rear

Cruise control

Light and rain sensor

Tyre pressure loss indicator

Audi hill hold assist – holds vehicle stationary for unlimited periods after stopping on uphill and downhill gradients

Keyless go – allows engine to be started by simply pressing the start/stop button in the centre console. The key just needs to be carried

Safety and security

Electronic stability control (ESC)

Six airbags

- Front airbags
- Front side airbags
- Curtain airbags

ISOFIX – Child seat mounting – for front passenger (with airbag deactivation) and outer rear seats. Including Top Tether attachment point for the outer rear seats

Anti-theft alarm



Image shows the A7 Sportback SE Executive with optional Cuvée silver, metallic paint (0D) and optional 20" x 9J '5-spoke 'W' design alloy wheels (PRC)

A7 S line model equipment

In addition to A7 SE Executive model equipment

Total RRP inc VAT
£2,790.00

Wheels, tyres and suspension

20" x 9J '5-twin-spoke' design alloy wheels with 265/35 R20 tyres

Sports suspension – lowered by 10mm with more firmly tuned springs and dampers for more direct contact with the road (de-selection of Sports suspension is available)

Lighting

Audi Matrix LED headlights. A direct evolution of Audi's LED headlights, Matrix technology provides maximum and precise illumination at all times without dazzling other road users. The vehicle uses information obtained from multiple sources including the interior mirror camera and navigation system to identify the appropriate lighting required; using GPS data the vehicle will use high beam, but will automatically switch to dipped lighting when entering built-up areas; whilst high beam is in use, and oncoming traffic is detected, the Matrix

beam dips or fully extinguishes individual lighting diodes. Matrix beam is capable of establishing and tracking multiple road users and illuminating the appropriate corridors of lights either side of them to maintain maximum visibility of the road and surrounding environment without causing disruption to other drivers. Matrix beam technology includes dynamic front indicators which sweep from inside to out within 0.15 seconds. This helps to clearly identify not only that the vehicle is turning, but in which direction – increasing road safety as it is easier for other road users to determine which way cars are moving in a shorter amount of time

Exterior equipment

S line bumpers, side ventilation grilles, side skirts and diffuser insert

Diffuser insert in platinum grey

S line badges on the front wings

Interior equipment

Inlays in matt brushed aluminium

Headlining in black cloth

S line badge on the steering wheel

Door sill trims with S line logo

Gear lever knob in black perforated leather

Door insert trim in Alcantara upholstery

Seats

Front Sports seats

Upholstery in black Valcona leather with S line logo embossed in the front seat backrests





Image shows the A7 Sportback S line model with optional Misano red, pearl effect paint (N9)

A7 Black Edition model equipment

In addition to A7 S line model equipment

Total RRP inc VAT
£2,350.00

Wheels, tyres and suspension

21" x 9J '5-arm Rotor' design titanium-look alloy wheels with 275/30 R21 tyres

S line Sports suspension with a more dynamic suspension tuning and vehicle lowered by 10mm (over Sports suspension)

Audio and communication

BOSE® Surround Sound

Exterior equipment

Black styling package – includes:

- Radiator grille frame and radiator grille struts in high-gloss black
- Radar sensor surrounds (if fitted) in the side ventilation grille in high-gloss black
- Front side grilles in matt black
- Radiator grille in matt black
- Number plate holder in matt black
- Window capping strips in high-gloss black
- Side profile roof-trim strip in high-gloss black

Privacy glass – dark tinted rear and side windows (from B-pillar backwards)

Interior equipment

Inlays in Piano finish, black





Image shows the A7 Sportback Black Edition model in optional Glacier white, metallic paint (2Y)

S7 Sportback standard equipment

In addition to A7 SE Executive model equipment

Engines and efficiency

Audi cylinder-on-demand technology

Active noise cancellation system – effectively compensates for noise interference inside the car, depending on the interior noise level and engine speed. Four microphones installed in the roof lining register background engine noise and, if necessary, a precisely calculated antiphase sound is emitted through the car's internal sound system

75-litre fuel tank

Wheels, tyres and suspension

20" x 9J '5-parallel spoke' Star design alloy wheels with 265/35 R20 tyres

'S' Sports adaptive air suspension – electronically controlled air suspension with continuously adaptive damping system on all 4 wheels to automatically regulate vehicle ride height by up to 20mm depending upon mode. Choice of 4 modes – Auto, Comfort, Dynamic and Lift, selected via the MMI system

quattro with Sports differential – the electronically regulated Sports differential distributes variable amounts of driving force to each rear wheel ensuring outstanding acceleration performance when cornering. It also ensures better steering characteristics and more agile handling

Exterior equipment

Aluminium-effect exterior mirror housings

Dual-branch oval twin tailpipes in chrome finish

Matt black painted brake calipers with S7 logo

Front bumper air intakes with aluminium-effect accents

Platinum grey 'S' single-frame grille – with dual struts in chrome and S7 logo

Platinum grey bumper diffuser insert with aluminium-effect strip

'S' body coloured side sill trims



20" x 9J '5-parallel spoke' Star design alloy wheels



Platinum grey 'S' single-frame radiator grille and S7 logo

Interior equipment

Inlays in Carbon atlas

'S' Sports steering wheel with contrast stitching and S7 emblem – with gear shift paddles

Lighting package – includes lighting for the interior and exterior

Storage package – includes 2 drink holders in the rear centre armrest, luggage net and 2 x 12V sockets in the rear

Start/stop button with red illumination

'S' instrument dials

Aluminium door sill trims with S7 logo

Door insert trim in Alcantara upholstery

Seating

'S' Super Sports front seats with driver's side memory function (12-way adjustable) including:

- Stitched diamond design with embossed S7 badge
- Electrically adjustable seat height
- Electrically adjustable seat forwards and backwards position
- Electrically adjustable upper backrest angle
- Electrically adjustable seat cushion angle
- 4-way electric lumbar support

'S' Super Sports rear seats – in a 2 seat configuration

Valcona leather upholstery

Assistance systems

'S' model enhanced braking system

Safety and security

Tracking system preparation



'S' instrument dials



Aluminium-effect exterior mirror housings

A7 SE Executive

Engines	Power	Transmissions	CO ₂ g/km	Total RRP inc VAT	Recommended OTR
3.0 TDI ultra	218PS	7 speed S tronic	124*	£45,730.00	£46,415.00
3.0 TDI quattro	218PS	7 speed S tronic	138*	£47,355.00	£48,170.00
3.0 TDI quattro	272PS	7 speed S tronic	138*	£49,940.00	£50,755.00

A7 S line

Engines	Power	Transmissions	CO ₂ g/km	Total RRP inc VAT	Recommended OTR
3.0 TFSI quattro	333PS	7 speed S tronic	182*	£52,510.00	£53,545.00
3.0 TDI ultra	218PS	7 speed S tronic	128*	£48,520.00	£49,205.00
3.0 TDI quattro	218PS	7 speed S tronic	142*	£50,150.00	£50,980.00
3.0 TDI quattro	272PS	7 speed S tronic	142*	£52,730.00	£53,560.00
3.0 BiTDI quattro	320PS	8 speed tiptronic	167*	£56,250.00	£57,230.00

*Please note: CO₂ emissions can change if a different size alloy is ordered onto the vehicle. This may also lead to a change to the VED amount payable. Please refer to pages 56,57,75,76 and 81 for more details.

Please note: The maximum power output figures are quoted in PS (or Pferdestärke, which is the metric equivalent of brake horsepower). To convert to brake horsepower, divide the PS figure by 1.0139.

Recommended On-The-Road (OTR) retail prices include: delivery charge, half a tank of fuel, number plates at £630.00 (inc. VAT), Road Fund Licence (which may vary depending on model/transmission – see page B1 for details) and first registration fee at £55.00. Vehicle Excise Duty correct at time of going to print, but this may alter to reflect any change in the applicable VED rate.

RRP – Recommended Retail Price.

VAT is calculated at 20% but this may alter to reflect any change in the applicable VAT rate.

A7 Black Edition

Engines	Power	Transmissions	CO ₂ g/km	Total RRP inc VAT	Recommended OTR
3.0 TFSI quattro	333PS	7 speed S tronic	182*	£54,860.00	£55,895.00
3.0 TDI quattro	218PS	7 speed S tronic	142*	£52,500.00	£53,330.00
3.0 TDI quattro	272PS	7 speed S tronic	142*	£55,080.00	£55,910.00
3.0 BiTDI quattro	320PS	8 speed tiptronic	167*	£58,600.00	£59,580.00

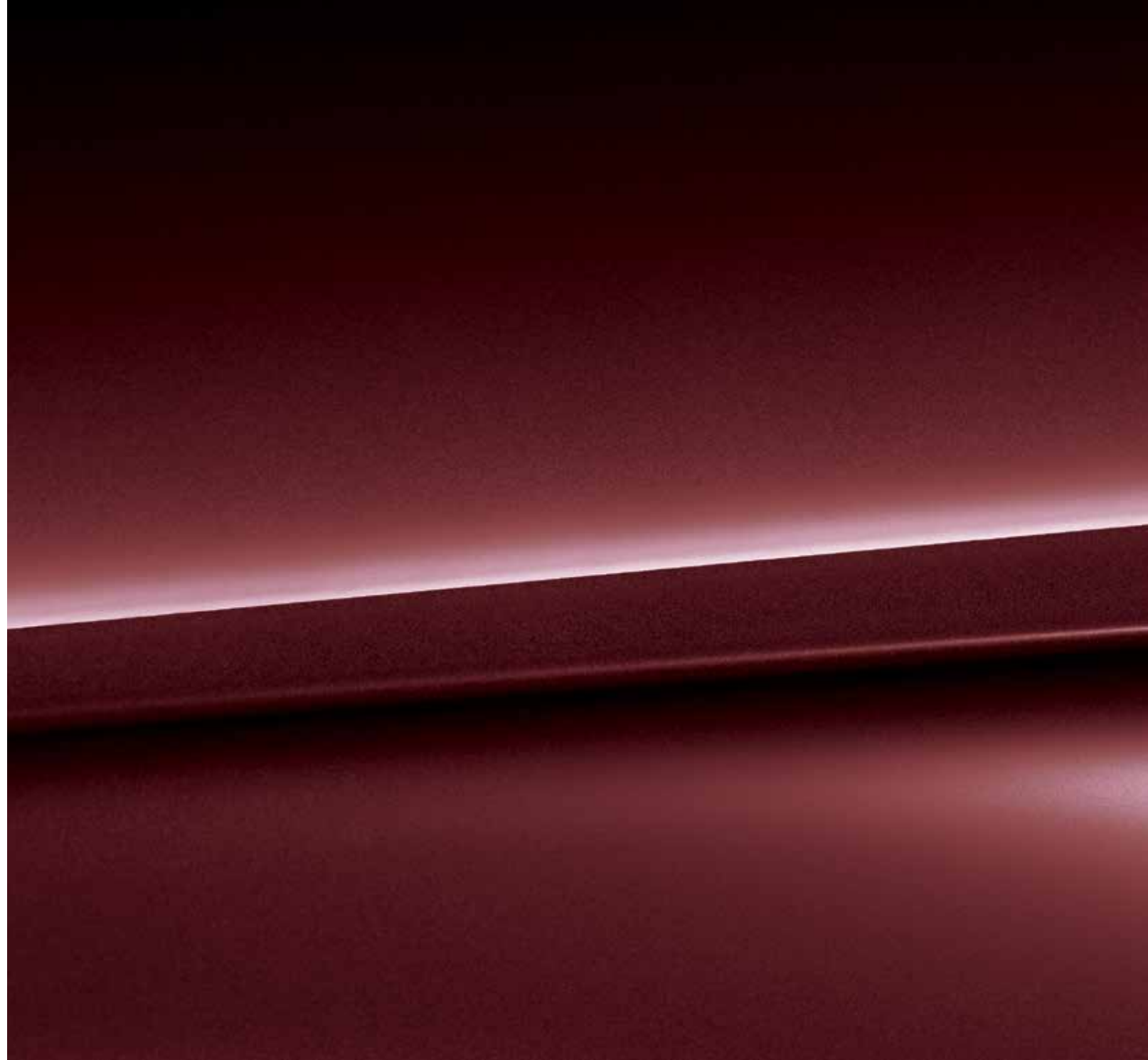
S7 Sportback

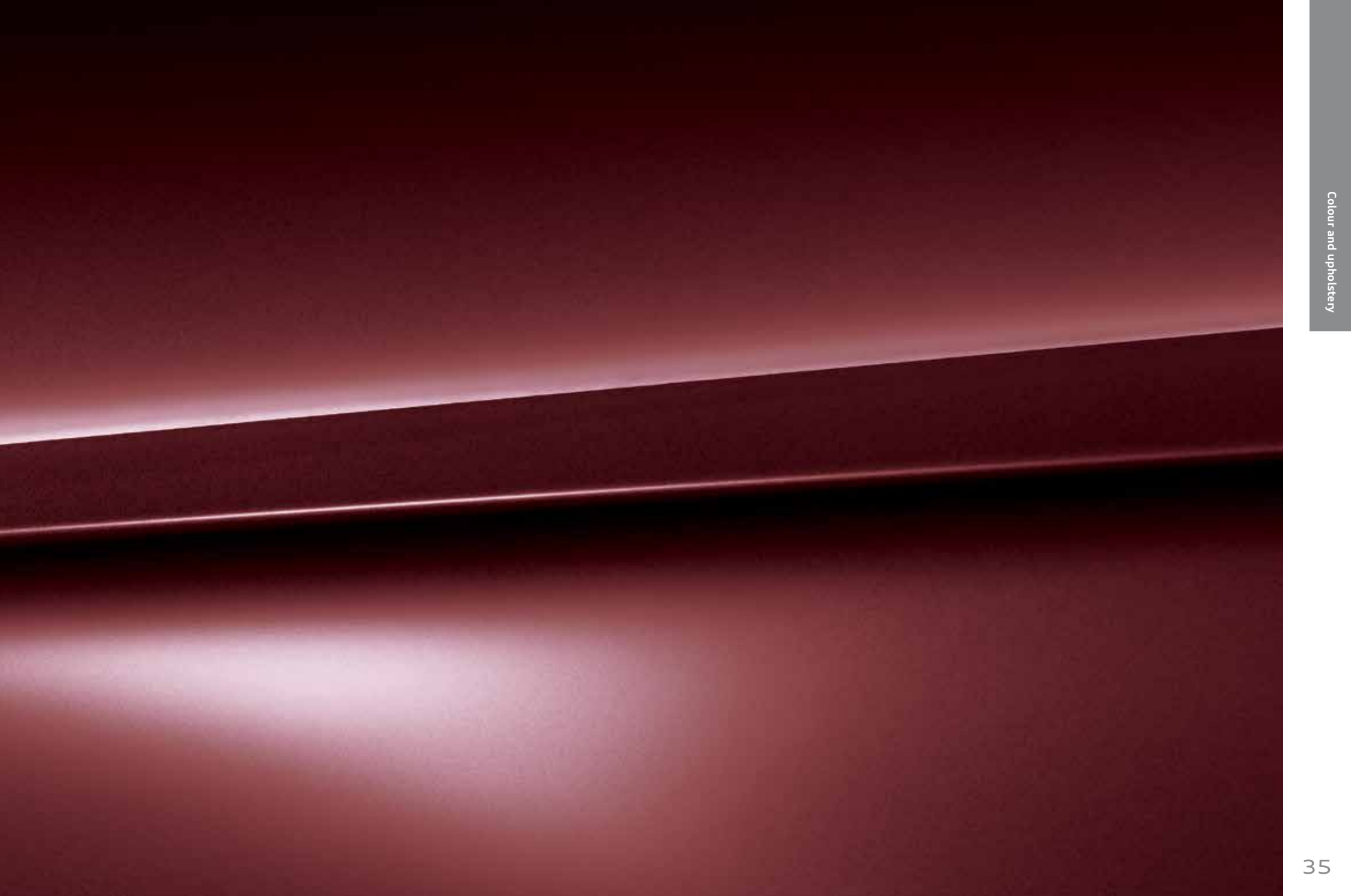
Engine	Power	Transmission	CO ₂ g/km	Total RRP inc VAT	Recommended OTR
4.0 TFSI quattro	450PS	7 speed S tronic	220*	£62,595.00	£63,920.00



Paint

We believe that every part of your car should have a personal touch. Which is why you can choose from a wide range of paint colours and finishes, from standard shades to metallic and pearl effects. We can even mix a customised colour for you to create the perfect fit.





Paint

You can select one of the standard colours shown opposite or, for a different look, choose from a range of optional finishes.

Options are subject to availability and may extend delivery.

*Not available on S7.

All the colour swatches on this page are matched as accurately as possible to the actual paint colours used. However, due to print processes, Audi UK cannot guarantee that colours shown are 100% accurate.

Visit your local Audi Centre for a more accurate colour swatch.

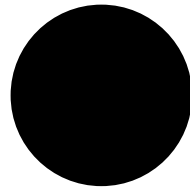
RRP – Recommended Retail Price.

VAT is calculated at 20% but this may alter to reflect any change in the applicable VAT rate.

Standard colours

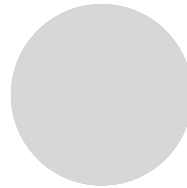


Ibis white – T9

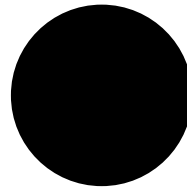


Brilliant black – A2

Optional colours



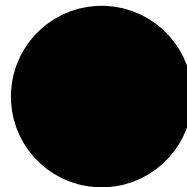
Floret silver, metallic – L5



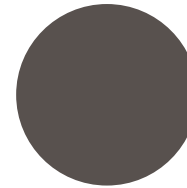
Havana black, metallic – 4J



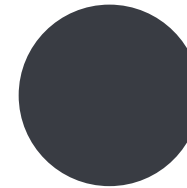
Glacier white, metallic – 2Y



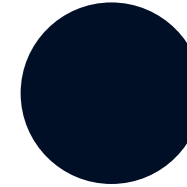
Mythos black, metallic – 0E



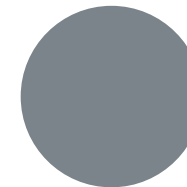
Dakota grey, metallic – Y7*



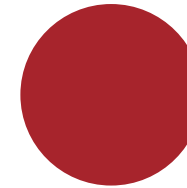
Oolong grey, metallic – 4N



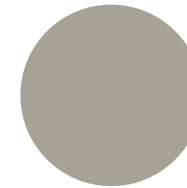
Moonlight blue, metallic – W1



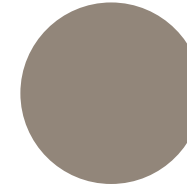
Tornado grey, metallic – Q2



Garnet red, pearl effect – 9C*

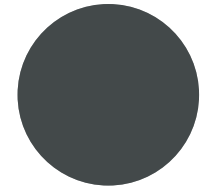


Cuvée silver, metallic – 0D*

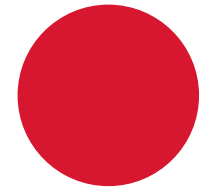


Diamond beige, metallic – N3*

S line colours



Daytona grey, pearl effect – 6Y

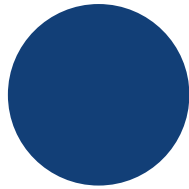


Misano red, pearl effect – N9

Optional colours

Total RRP inc VAT
£675.00

S7 colour



Sepang blue, pearl effect – E9

Paint

Audi exclusive

Everyone has a favourite colour. No matter what yours is, Audi exclusive provides a range of unique colours that have been designed to set your car apart. Choose from the swatches here, or specify any other paint colour in the Audi range.*

Customised

If you have a particular colour in mind, we'll mix the exact metallic or pearl-effect shade you want.**

*Audi exclusive paint is subject to factory approval. Visit your local Audi Centre for colour samples.

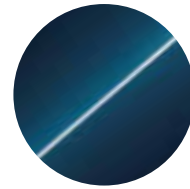
**Customised paint is subject to factory approval, and is available for metallic and pearl-effect water-based paints only. Three-colour process colours and two-tone schemes are not available.

All the colour swatches on this page are matched as accurately as possible to the actual paint colours used. However, due to print processes, Audi UK cannot guarantee that colours shown are 100% accurate.

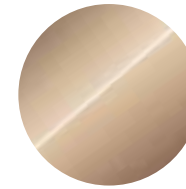
Visit your local Audi Centre for a more accurate colour swatch.

RRP – Recommended Retail Price.

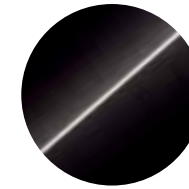
VAT is calculated at 20% but this may alter to reflect any change in the applicable VAT rate.



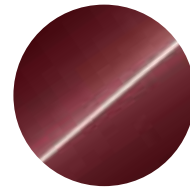
Palace blue, pearl effect



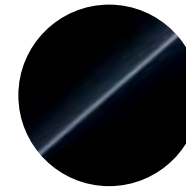
Sand beige, pearl effect



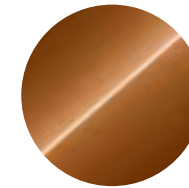
Saddle brown, pearl effect



Classic red, pearl effect



Mamba black, metallic



Ipanema brown, metallic



Any colour in the Audi range or 100 exclusive colours to choose from*

Audi exclusive*

Total RRP inc VAT
£2,155.00



Customised paint**

Customised**

Total RRP inc VAT
£2,655.00

Upholstery

It's important to feel comfortable on the road. Just choose from our range of luxury upholstery materials and textures, including additional support and colour options, for complete relaxation while you drive.





Upholstery

Standard seats

Choose your favourite upholstery from the swatches shown opposite to give your car's interior the look and feel you want.

Milano leather
– NSW



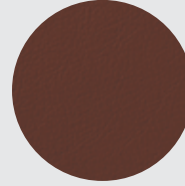
Black – FZ



Flint grey – IX



Atlas beige – IV/IY/IZ



Nougat brown – VB

	A7 SE Executive	A7 S line	A7 Black Edition	S7	Total RRP inc VAT
	S	–	–	–	No charge



Standard seat*

Options are subject to availability and may extend delivery.

- = Not available
- = Available
- S = Standard

*The image illustrates the seat with manual controls. For colour choices please refer to the swatches.

All leather upholstery choices include seats, head restraints and front centre armrest in leather.

RRP – Recommended Retail Price.

VAT is calculated at 20% but this may alter to reflect any change in the applicable VAT rate.

Upholstery

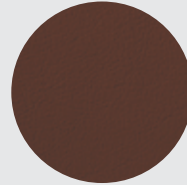
Front Sports seats – PS1

Front Sports seats include 4-way lumbar support.

Valcona leather
– N5D



Black – FZ

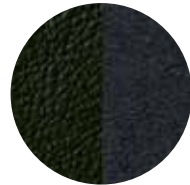


Nougat brown – VB

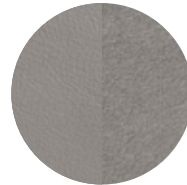


Flint grey – IX

Leather/Alcantara
– N7U



Black – FZ



Flint grey – IX



Front Sports seat*

Options are subject to availability and may extend delivery.

- = Not available
- = Available
- S = Standard

*The image illustrates the seat with manual controls. For colour choices please refer to the swatches.

All leather upholstery choices include seats, head restraints and front centre armrest in leather. Leather/Alcantara choices include head restraints, seat-side bolsters and front centre armrest in leather with the seat centres in Alcantara.

RRP – Recommended Retail Price.

VAT is calculated at 20% but this may alter to reflect any change in the applicable VAT rate.

A7 SE Executive	A7 S line	A7 Black Edition	S7	Total RRP inc VAT
•	–	–	–	£1,165.00
•	–	–	–	£665.00

Upholstery

Comfort seats – PS8

18-way adjustable seats with memory function for both front seats and mirrors. Electric adjustment of seat forwards and backwards position, cushion angle, height, thigh support and backrest angle. Manual adjustment of seat belt height and head rest height and proximity. Pneumatic adjustment of bolsters (on backrest and seat cushion) and lumbar support. If selected on S7, Comfort seats will come in a four seat configuration.

Options are subject to availability and may extend delivery.

- = Not available
- = Available
- S = Standard

*Not available on S7.

*Only available on S7.

**The image illustrates the seat only. For colour choices please refer to the swatches.

All leather upholstery choices include seats, head restraints and front centre armrest in leather.

Comfort seats on S7 must be ordered with 2 rear seat configuration visually matched to front seats (3NZ).

RRP – Recommended Retail Price.

VAT is calculated at 20% but this may alter to reflect any change in the applicable VAT rate.

Valcona leather – N5D

	A7 SE Executive	A7 S line	A7 Black Edition	S7	Total RRP inc VAT
Black – FZ*/SX*	•	-	-	-	£1,800.00
Flint grey – IX*	-	-	-	-	
Atlas beige – IV*/IY*/IZ*	-	-	-	-	
Nougat brown – VB*	-	-	-	•	No charge



Comfort seat**

Upholstery

S line Sports seats

Front S line electrically adjustable Sports seats including 4-way electrical lumbar adjustment and memory function for driver's side. Front seats with S line logo. If you select Alcantara/Pearl Nappa leather, this comes with Black/Jet grey stitching on seats, steering wheel, gear lever gaiter and floor mats.

Perforated leather/Alcantara
- N7K

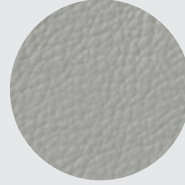


Black - QF

Valcona leather
- N1V



Black - QE



Lunar silver - QA

	A7 SE Executive	A7 S line	A7 Black Edition	S7	Total RRP inc VAT
	-	S	S	-	No charge
	-	•	•	-	No charge

Options are subject to availability and may extend delivery.

- = Not available
- = Available
- S = Standard

All leather upholstery choices include seats, head restraints and front centre armrest in leather. Leather/Alcantara choices include head restraints, seat side bolsters and front centre armrest in leather with the seat centres in Alcantara.

RRP - Recommended Retail Price.

VAT is calculated at 20% but this may alter to reflect any change in the applicable VAT rate.

Upholstery

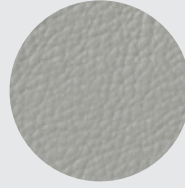
S Super Sports seats – PS6

Front S Super Sports seats are electrically adjustable with driver's side memory, and include electric 4-way lumbar support. Key features include extra lateral support, integrated head restraints and extendable thigh support.

Valcona leather
– N1V



Black – QE*



Lunar silver – QA*

A7 SE Executive	A7 S line	A7 Black Edition	S7	Total RRP inc VAT
–	•	•	–	£1,000.00

Options are subject to availability and may extend delivery.

- = Not available
- = Available
- S = Standard

*S Super Sport seats are only available in a four seat configuration.

All leather upholstery choices include seats, head restraints and front centre armrest in leather. Leather/Alcantara choices include head restraints, seat side bolsters and front centre armrest in leather with the seat centres in Alcantara.

RRP – Recommended Retail Price.

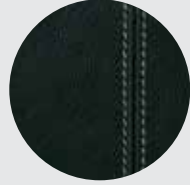
VAT is calculated at 20% but this may alter to reflect any change in the applicable VAT rate.

Upholstery

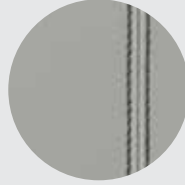
S Super Sports seats – Q4Q

Front S Super Sports seats are electrically adjustable with driver's side memory, and include electric 4-way lumbar support. Key features include extra lateral support, integrated head restraints and extendable thigh support. S Super Sports seats only come in a four seat configuration.

Valcona leather
S-embossed
– NOK



Black – IM



Lunar silver – IL

Leather/Alcantara
S-embossed
– N7N



Black – SX



Lunar silver – IN



S Super Sports seat

Options are subject to availability and may extend delivery.

- = Not available
- = Available
- S = Standard

All leather upholstery choices include seats, head restraints and front centre armrest in leather. Leather/Alcantara choices include head restraints, seat side bolsters and front centre armrest in leather with the seat centres in Alcantara.

RRP – Recommended Retail Price.

VAT is calculated at 20% but this may alter to reflect any change in the applicable VAT rate.

	A7 SE Executive	A7 S line	A7 Black Edition	S7	Total RRP inc VAT
Valcona leather S-embossed – NOK	-	-	-	S	No charge
Leather/Alcantara S-embossed – N7N	-	-	-	•	No charge

Upholstery

Seat options

Order Code		A7 SE Executive	A7 S line	A7 Black Edition	S7	Total RRP inc VAT
4A4	Front and rear heated seats. Works in the same way as front seat heating, enabling you to regulate the rear seats separately	●	●	●	●	£340.00
4D3	Seat ventilation for front seats. 3 different intensities of cool air are drawn through the seat (for Comfort seats) or a fan (for Standard seats). Provides active ventilation of the seat centre section and thigh support. To allow for the seat ventilation, the leather of the seat front is perforated. Not available in combination with Front Sports seats (PS1). On S7 only in combination with Comfort seats (PS8)	●	–	–	●	£840.00
4D8	Massage and seat ventilation for front seats. Massage function with 5 different programmes (wave, pulse, stretch, lumbar, shoulders) and 4 levels of intensity for massaging the muscles using 10 pneumatic cushions. 3 different intensities of cool air are drawn through the seat for active ventilation of the seat centre section and thigh support. To allow for the seat ventilation, the leather of the seat front is perforated. Only in combination with Comfort seats (PS8)	●	–	–	●	£1,600.00

Options are subject to availability and may extend delivery.

– = Not available
 ● = Available
 S = Standard

RRP – Recommended Retail Price.

VAT is calculated at 20% but this may alter to reflect any change in the applicable VAT rate.



Colour and trim guide

Interior trim colours

Standard seats

To help you choose the right interior for your new A7 Sportback, please use this guide, showing the carpet, dashboard and headlining colours that have been matched to your chosen upholstery.

Order Code	Upholstery	Carpet	Dashboard (upper/lower)	Headlining	Milano leather (N5W)
FZ	Black	Black	Black/Black	Lunar silver	●
VB	Nougat brown	Black	Black/Black	Lunar silver	●
IV	Atlas beige	Black	Black/Black	Atlas beige	●
IX	Flint grey	Granite grey	Granite grey/Flint grey	Lunar silver	●
IY	Atlas beige	Moor brown	Moor brown/Atlas beige	Atlas beige	●
IZ	Atlas beige	Atlas beige	Moor brown/Atlas beige	Atlas beige	●

Sports seats

Order Code	Upholstery	Carpet	Dashboard (upper/lower)	Headlining	Valcona leather (N5D)	Alcantara/Leather (N7U)
FZ	Black	Black	Black/Black	Lunar silver	●	●
VB	Nougat brown	Black	Black/Black	Lunar silver	●	—
IX	Flint grey	Granite grey	Granite grey/Flint grey	Lunar silver	●	●

Comfort seats

Order Code	Upholstery	Carpet	Dashboard (upper/lower)	Headlining	Valcona leather (N5D)
FZ	Black	Black	Black/Black	Lunar silver	●
VB	Nougat brown	Black	Black/Black	Lunar silver	●
IV	Atlas beige	Black	Black/Black	Atlas beige	●
IX	Flint grey	Granite grey	Granite grey/Flint grey	Lunar silver	●
IY	Atlas beige	Moor brown	Moor brown/Atlas beige	Atlas beige	●
IZ	Atlas beige	Atlas beige	Moor brown/Atlas beige	Atlas beige	●
SX*	Black	Black	Black/Black	Lunar silver	●

Options are subject to availability and may extend delivery.

– = Not available
● = Available

* Available on S7 only.

RRP – Recommended Retail Price.

VAT is calculated at 20% but this may alter to reflect any change in the applicable VAT rate.

Colour and trim guide

Interior trim colours

S line Sports seats

Order Code	Upholstery	Carpet	Dashboard (upper/lower)	Headlining	Valcona leather (N1V)	Alcantara/Leather (N7K)
QA (Dark silver stitching)	Lunar silver	Black	Black/Black	Black	●	—
QE (Black stitching)	Black	Black	Black/Black	Black	●	—
QF (Silver stitching)	Black	Black	Black/Black	Black	—	●

S Super Sports seats – PS6

Order Code	Upholstery (seat centre/ seat bolster)	Carpet	Dashboard (upper/lower)	Headlining	Valcona leather (N1V)
QE (Black stitching)	Black/Black	Black	Black	Black	●
QA (Dark silver stitching)	Lunar silver/Lunar silver	Black	Black/Black	Black	●

S Super Sports seats with S7 embossed logo

Order Code	Upholstery	Carpet	Dashboard (upper/lower)	Headlining	Valcona leather (N0K)	Alcantara/Leather (N7N)
SX	Black	Black	Black/Black	Lunar silver	—	●
IM (Dark silver stitching)	Black	Black	Black/Black	Lunar silver	●	—
IN	Lunar silver	Black	Black/Black	Lunar silver	—	●
IL (Graphite grey stitching)	Lunar silver	Black	Black/Black	Lunar silver	●	—

Options are subject to availability and may extend delivery.

- = Not available
- = Available

RRP – Recommended Retail Price.

VAT is calculated at 20% but this may alter to reflect any change in the applicable VAT rate.

Inlays

Attention to detail can make a big impact. From contemporary black Piano finish to a dark brown walnut, our selection of inlays make the perfect finishing touch to your car's interior.

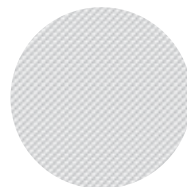




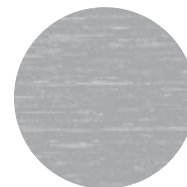
Inlays

Inlays are the all-important finishing touch that add flair and interest to your car's interior.

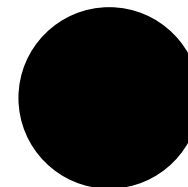
Order Code		A7 SE Executive	A7 S line	A7 Black Edition	S7	Total RRP inc VAT
7TH	Aluminium delta	S	-	-	-	No charge
5TG	Matt-brushed aluminium	-	S	-	-	No charge
5TL	Piano finish, black. Covers centre console, door trims and the continuous inlay seam, with aluminium-look edging	●	●	S	-	£700.00
		-	-	-	●	£250.00
5MK	Carbon atlas. Covers centre console, door trims and the continuous inlay seam, with aluminium-look edging	-	-	-	S	No charge
5MG	Walnut, dark brown. Covers centre console, door trims and the continuous inlay seam, with aluminium-look edging	●	-	-	-	£385.00
7TD	Beaufort walnut. Covers centre console, door trims and the continuous inlay seam, with aluminium-look edging	●	-	-	-	£650.00
7TL	Fine grain ash, natural brown. Covers centre console, door trims and the continuous inlay seam, with aluminium-look edging	●	●	-	-	£385.00
		-	-	-	●	No charge
		-	●	-	-	£2,400.00
5TB	Aluminium, beaufort black. Covers centre console, door trims and the continuous inlay seam, with aluminium-look edging	-	-	●	-	£2,200.00
		-	-	-	●	£1,800.00



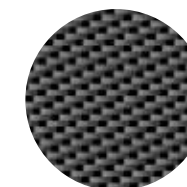
Aluminium delta – 7TH



Matt-brushed aluminium – 5TG



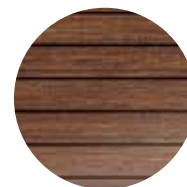
Piano finish, black – 5TL



Carbon atlas – 5MK



Walnut, dark brown – 5MG



Beaufort walnut – 7TD



Fine grain ash, natural brown – 7TL



Aluminium, beaufort black – 5TB

Options are subject to availability and may extend delivery.

- = Not available
● = Available
S = Standard

RRP – Recommended Retail Price.

VAT is calculated at 20% but this may alter to reflect any change in the applicable VAT rate.

Inlays

Audi exclusive

Audi exclusive has sourced a wide range of materials which you can select for your inlays, from Fine grain ash nougat to Oak sepia.

Order Code		A7 SE Executive	A7 S line	A7 Black Edition	S7	Total RRP inc VAT
YTA S3G	Audi exclusive inlays. Cannot be combined with inlays shown on page 52	•	•	•	•	£1,365.00



Fine grain ash, nougat



Fine grain myrtle, nutmeg



Modrone wood, gold



Vavona wood, bronze



Tamo ash, dark brown



Oak, sepia



Options are subject to availability and may extend delivery.

- = Not available
- = Available
- S = Standard

RRP – Recommended Retail Price.

VAT is calculated at 20% but this may alter to reflect any change in the applicable VAT rate.

Options

Every driver has different needs, which is why we have created some useful options to further enhance your car. For extra comfort, support, style or function, you can choose from a variety of additional features, tailoring everything from your infotainment and audio equipment to your wheels and lighting.





Wheels and tyres

Choose a set of specially-selected alloy wheels to subtly enhance the way your car looks and drives.



19" x 8.5J '5-spoke V' design alloy wheels - PRA



19" x 8.5J '10-spoke' design alloy wheels - PRT



19" x 9J '5-V-spoke' design alloy wheels in matt titanium look - PQ6



19" x 9J '7-twin-spoke' design alloy wheels - PQY



20" x 9J '10-spoke Y' design alloy wheels - PQK



20" x 9J '5-spoke W' design contrasting grey alloy wheels - PRD



20" x 9J '5-spoke W' design alloy wheels - PRC



20" x 9J '5-twin-spoke' matt titanium look alloy wheels - PQH



20" x 9J '5-spoke blade' design alloy wheels - PQN



21" x 9J '5-arm Rotor' design alloy wheels - PQW

Options are subject to availability and may extend delivery.

- = Not available
• = Available
S = Standard

Please note that the size of your chosen A7 Sportback wheel may affect the fuel consumption figures and the CO₂ emissions. This may result in a change in subsequent Vehicle Excise Duty payable. Please see pages 75,76 and 81.

Wheels and tyres

Order Code		A7 SE Executive	A7 S line	A7 Black Edition	S7	Total RRP inc VAT
PRV	19" x 8.5J '5-arm Y' design alloy wheels with 255/40 R19 tyres	S	-	-	-	No charge
PRA	19" x 8.5J '5-spoke V' design alloy wheels with 255/40 R19 tyres	●	-	-	-	£450.00
		-	●	-	-	No charge
PRT	19" x 8.5J '10-spoke' design alloy wheels with 255/40 R19 tyres	●	-	-	-	£450.00
		-	●	-	-	No charge
PQ6	19" x 9J '5-V-spoke' design alloy wheels in matt titanium look, gloss turned finish with 255/40 R19 tyres	●	-	-	-	£700.00
		-	●	-	-	No charge
PQY	19" x 9J '7-twin-spoke' design alloy wheels with 255/40 R19 tyres	-	●	-	-	No charge
PQG	20" x 9J '5-twin-spoke' design alloy wheels with 265/35 R20 tyres	-	S	-	-	No charge
PQK	20" x 9J '10-spoke Y' design alloy wheels with 265/35 R20 tyres	●	-	-	-	£1,050.00
		-	●	-	-	No charge
PRD	20" x 9J '5-spoke W' design alloy wheels contrasting grey, partly polished with 265/35 R20 tyres	●	-	-	-	£1,000.00
		-	●	-	-	No charge
PRC	20" x 9J '5-spoke W' design alloy wheels with 265/35 R20 tyres	●	-	-	-	£850.00
		-	●	-	-	No charge
PQ3	21" x 9J '5-arm Rotor' design matt titanium look alloy wheels with 275/30 R21 tyres	-	-	S	-	No charge
PRJ	20" x 9J '5-parallel spoke Star' design alloy wheels with 265/35 R20 tyres	-	-	-	S	No charge
PQH	20" x 9J '5-twin-spoke' matt titanium look alloy wheels, gloss turned finish with 265/35 R20 tyres	-	●	●	●	No charge
PQN	20" x 9J '5-spoke-blade' design alloy wheels with 265/35 R20 tyres	-	●	●	●	No charge
PQW	21" x 9J '5-arm Rotor' design alloy wheels with 275/30 R21 tyres	-	-	●	●	No charge

Options are subject to availability and may extend delivery.

- = Not available
● = Available
S = Standard

Please note that the size of your chosen A7 Sportback wheel may affect the fuel consumption figures and the CO₂ emissions. This may result in a change in subsequent Vehicle Excise Duty payable. Please see pages 75,76 and 81.

RRP – Recommended Retail Price.

VAT is calculated at 20% but this may alter to reflect any change in the applicable VAT rate.

Suspension

Order Code		A7 SE Executive	A7 S line	A7 Black Edition	S7	Total RRP inc VAT
1BA	Dynamic Suspension	S	●	–	–	No charge
1BE	Sports suspension lowered by 10mm with more firmly tuned springs and dampers for more direct contact with the road. On S line this suspension is de-selectable as a no cost option	●	S	–	–	£410.00
1BV	S line Sports suspension with more dynamic suspension tuning and vehicle lowered by 10mm (over Sports suspension 1BE)	–	●	S	–	No charge
1BK	Adaptive air suspension. Electronically controlled air suspension with infinitely variable adaptive damping system on all 4 wheels, which automatically regulates vehicle ride height and damping, including ride height control. Different modes (Comfort, Dynamic, Auto and additional 'Lift' function for increased ground clearance) selected via Audi drive select	●	●	●	–	£2,000.00
GH2	quattro with Sports differential. The electronically regulated Sports differential distributes variable amounts of driving force to each rear wheel, ensuring outstanding acceleration performance in corners and stabilising the vehicle's response to load change. It also ensures better direct steering characteristics and, thanks to less steering effort, more agile handling. Not available on 3.0 TDI ultra 218PS engine	●	●	●	S	£1,100.00
1N8	Dynamic steering. With this technology, driving is significantly more agile under everyday conditions, while directional stability and precision are increased at high speeds and in demanding driving situations	●	●	●	●	£1,210.00

Options are subject to availability and may extend delivery.

- = Not available
- = Available
- S = Standard

RRP – Recommended Retail Price.

VAT is calculated at 20% but this may alter to reflect any change in the applicable VAT rate.



Packages

Some items work well together, which is why we've created these special packages. They provide increased convenience and value by combining several of our most popular options.

The drivers assistance systems featured on these pages work only within system limits. They assist the driver with driving tasks. However, the driver remains responsible for driving the vehicle and is required to be attentive.

Order Code		A7 SE Executive	A7 S line	A7 Black Edition	S7	Total RRP inc VAT
WB4	<p>Technology pack. Featuring the top-of-the-range navigation and connectivity systems</p> <p>MMI Navigation Plus with MMI Touch. Includes HDD-based navigation with topographical map display, places of interest and town models in 3D. Destinations can be entered via the speech dialogue system or MMI touch. Also includes 8" display, DVD player and 2 SDXC memory card readers</p> <p>Head-up display. Projects driving-related information directly into the driver's field of vision using an optical system of mirrors</p> <p>Audi Connect and Audi Phone Box. Audi Connect provides access to a number of innovative online services including: navigation using Google Earth™ images and Google Street View™, destination entry via Google Maps™ or myAudi, online point of interest search and information services such as weather forecasts and the latest world news. Audi Connect can also create a WiFi hotspot in the car for convenient internet access using a mobile device (e.g. laptop or tablet). Audi Phone Box enables drivers to use their mobile phone in the car by placing it in the storage compartment provided in the centre console to create a 'wireless' connection to the vehicle aerial. Operated via the MMI control panel or the multi-function steering wheel. Mobile Phone can be charged via a USB port</p>	●	●	●	●	£2,345.00
WB7 PCN	<p>Technology pack advanced. Features all the content of the Technology pack and adds our latest driver assistance systems for the ultimate innovation</p> <p>Audi adaptive cruise control with Stop&Go function including Pre-sense front. Automatic distance regulation, using radar sensors to maintain the required distance between vehicles by braking and accelerating. Works at speeds between 0 and 150mph.* Also includes Audi braking guard – a system which triggers a visual and acoustic alarm when it detects the risk of a rear end collision with the vehicle in front. In addition, the airbags are preconditioned if a crash is sensed and the system is prepared to assist with necessary braking force once the brake pedal is touched</p> <p>Audi side assist including Pre-sense rear. Aids the driver when changing lane. The system monitors the area behind the car, using radar sensors located discreetly in the rear bumper, informing the driver with a visual warning signal in the door mirror if there is a vehicle in their blind spot or approaching quickly from behind. In combination with Audi active lane assist there is a noticeable steering intervention before veering out of the lane if a lane change is judged to be hazardous due to an approaching vehicle. The steering intervention only occurs if both systems have been activated and are ready (works at speeds above approximately 37mph)</p> <p>Audi lane assist. Helps the driver to stay in lane with gentle steering impulses for greater safety and convenience.</p> <p>Exterior mirrors (6XF). Heated, electrically adjustable and electrically folding with automatic kerb view function which tilts the passenger mirror downwards towards the kerb when reverse gear is engaged. Includes memory function. For more details please see pages 19 and 65</p>	●	●	●	●	£3,995.00
WB1 PS8 PGD N5D	<p>Comfort pack. An option pack designed to bring even more luxury to your A7</p> <p>Electrically adjustable Comfort front seats with memory function adjust eighteen different ways and include memory function for both seats and mirrors, so you can return to your preferred position at the touch of a button</p> <p>Advanced key. Leave the car key in your pocket or bag at all times; simply pull the handle to unlock and open your A7, press the exterior button on the handle to lock the vehicle and press the 'Start engine' button to turn on the ignition. Also featured is a hands-free tailgate release sensor located underneath the rear bumper, which can be operated by a simple kicking movement underneath the sensor</p> <p>Reversing camera. Additionally, when reversing, a rear camera provides imagery of the area behind your vehicle on the MMI screen. Also includes steering path</p>	●	–	–	–	£1,750.00
	In combination with Parking Pack (WC9)	●	–	–	–	£1,350.00

Options are subject to availability and may extend delivery.

- = Not available
- = Available
- S = Standard

*Where the law permits.

RRP – Recommended Retail Price.

VAT is calculated at 20% but this may alter to reflect any change in the applicable VAT rate.

Packages

Order Code		A7 SE Executive	A7 S line	A7 Black Edition	S7	Total RRP inc VAT
WC9	Parking pack. Offers state-of-the-art parking systems for easy parking - Park assist helps identify suitable parking spaces before enabling an effortless manoeuvre into them – you simply accelerate and brake - Additionally, a rear camera provides imagery with guidelines to ensure easy reverse parking	●	●	●	●	£810.00
WF5	Parking pack advanced. Features all the contents of the Parking pack and adds the innovative corner-view camera for the ultimate luxury in parking systems - In addition to the benefits of the parking package, safety and assurance is further enhanced through the use of additional corner-view cameras which support entry and exit from tight spaces. Only in combination with Technology pack (WB4 or WB7). Not available in combination with Comfort pack (WB1)	●	●	●	●	£1,110.00

Options are subject to availability and may extend delivery.

- = Not available
- = Available
- S = Standard

RRP – Recommended Retail Price.

VAT is calculated at 20% but this may alter to reflect any change in the applicable VAT rate.



Reversing camera featured in Parking pack



Park assist featured in Parking pack and Parking pack advanced

Packages

Order Code		A7 SE Executive	A7 S line	A7 Black Edition	S7	Total RRP inc VAT
WTG	<p>Entertainment Pack: Offers the perfect systems to keep all your passengers happy, however long your journey</p> <ul style="list-style-type: none"> - TV tuner for reception of free-to-air TV channels. Reception dependent on local network availability. Picture display only possible on MMI screen when your A7 is stationary, audio available at all times - Rear seat entertainment system includes two separate portable entertainment units, each with a 9" screen* mounted to the back of the front seats. Playback available from a variety of sources including Bluetooth, CD/DVD, SD Card, USB and AV. Carry case, remote control, table-top stand, 2.5 hour battery for external playtime, charging lead and headphones also included. Only in combination with Technology Pack (WB4 or WB7). On S7 only in combination with Comfort seat (PS8). Not available in combination with S Super Sports seats (PS6) 	●	●	●	●	£2,020.00
WBO	<p>Convenience Pack: An option pack featuring numerous useful items to make your A7 as practical and functional as possible</p> <ul style="list-style-type: none"> - The luggage compartment comes with a reversible mat, tie-down straps, a luggage net and a through-load facility for long items – complete with a removable ski/snowboard bag - Includes a blind for the rear window, two drink holders in the rear armrest and two 12-Volt sockets 	●	●	●	–	£565.00
		–	–	–	●	£455.00

Options are subject to availability and may extend delivery.

- = Not available
- = Available
- S = Standard

*Screens must be ordered by your local Audi Centre via Audi Genuine Accessories.

RRP – Recommended Retail Price.

VAT is calculated at 20% but this may alter to reflect any change in the applicable VAT rate.



Audi entertainment mobile featured in Entertainment Pack



Through-load facility with removable ski/snowboard bag featured in Convenience Pack

Headlights

Order Code		A7 SE Executive	A7 S line	A7 Black Edition	S7	Total RRP inc VAT
8G1	High-beam assist. Variable headlight range control featuring a camera on the interior mirror which registers sources of light from other road users. The range and width of the headlight beam are continuously varied between dipped and main beam to suit ambient conditions, ensuring that the headlights provide good visibility without dazzling other road users. Not available in combination with Matrix LED headlights (PXC)	●	—	—	●	£140.00
PXC	Audi Matrix LED headlights. A direct evolution of Audi's LED headlights, Audi Matrix technology provides maximum and precise illumination at all times without dazzling other road users. The vehicle uses information obtained from multiple sources including the interior mirror camera and navigation system to identify the appropriate lighting required; using GPS data, the vehicle will use high beam, but will automatically switch to dipped lighting when entering built up areas; whilst high beam is in use, and oncoming traffic is detected, the Matrix beam dips or fully extinguishes individual lighting diodes. Matrix beam is capable of establishing and tracking multiple road users and illuminating the appropriate corridors of lights either side of them to maintain maximum visibility of the road and surrounding environment without causing disruption to other drivers. Matrix beam technology includes dynamic front indicators which sweep from inside to out within 0.15 seconds. This helps to clearly identify not only that the vehicle is turning, but in which direction – increasing road safety as it is easier for other road users to determine which way cars are moving in a shorter amount of time	●	S	S	●	£945.00

Options are subject to availability and may extend delivery.

- = Not available
- = Available
- S = Standard

RRP – Recommended Retail Price.

VAT is calculated at 20% but this may alter to reflect any change in the applicable VAT rate.



High-beam assist



Audi Matrix LED headlights



Interior equipment

Specify every detail of your car's interior with this range of exclusive options.

Order Code		A7 SE Executive	A7 S line	A7 Black Edition	S7	Total RRP inc VAT
QQ1	Lighting package. Interior includes entrance lighting and LED lighting for front footwell, inside door handles, vanity mirror lights and centre console storage compartment. Also includes ambient lighting for the centre console and ambient reflected light for interior door trim. Exterior includes courtesy lighting under the door handles and LED-illuminated handle recess for easy entry in the dark (automatically activated when the doors are unlocked)	●	●	●	S	£250.00
QQ2	Ambient lighting. In addition to interior and exterior lighting package (QQ1), anti-glare illumination for the passenger compartment with LED technology. Lighting for door pockets, footwells and inside door handles, reflected lighting for centre console and door inner panels to help occupants find their way around. Surround lighting for centre console (floating effect), make-up lights at front and active door reflectors, with illuminated door sill trims (please note this will delete S line or S7 logo). Configured via MMI System	●	●	●	–	£550.00
		–	–	–	●	£300.00
2C7	Electrically adjustable steering column. Adjustable for height and reach with auto easy-entry and exit function	●	●	●	●	£400.00
6NQ	Cloth headlining – black. On entry and SE Executive trim, only available in combination with interior colours FZ, IV and VB	●	S	S	–	£250.00
		–	–	–	●	No charge
7HB	Extended leather package with lower part of centre console, armrests in the doors and door-pull handles in leather. Only in combination with Milano leather	●	–	–	–	£515.00
7HE	Leather covered door armrests. Only in combination with Valcona leather	●	●	●	●	£335.00
1XT	3-spoke leather-trimmed multi-function Sports steering wheel – heated and with paddles	●	●	●	●	£200.00
2PK	3-spoke leather-trimmed multi-function flat-bottomed Sports steering wheel – with paddles	–	–	–	●	£200.00
1T3	First aid kit in the storage compartment of the rear centre armrest	●	●	●	S	£30.00

Options are subject to availability and may extend delivery.

– = Not available
● = Available
S = Standard

RRP – Recommended Retail Price.

VAT is calculated at 20% but this may alter to reflect any change in the applicable VAT rate.

Exterior equipment

Make sure your car looks exactly as you want it to by selecting some of our striking options.

Order Code		A7 SE Executive	A7 S line	A7 Black Edition	S7	Total RRP inc VAT
6XF	Exterior mirrors – heated, electrically adjustable and folding, with automatic kerb view function which tilts the passenger mirror downwards towards the kerb when reverse gear is engaged. Includes memory function	●	●	●	●	£235.00
	In combination with Technology package advanced (WB7)	●	●	●	●	No charge
6XL	Exterior mirrors – heated, electrically adjustable, electrically folding and auto-dimming, with automatic kerb view function which tilts the passenger mirror downwards towards the kerb when reverse gear is engaged. Includes memory function	●	●	●	●	£515.00
	In combination with Technology package advanced (WB7)	●	●	●	●	£280.00
VW4	Privacy glass. Dark tinted rear and rear-side windows (from B-pillar backwards) - Windscreen in heat/sound insulating glass - Front side windows in standard glass (single-layer safety glass) - Rear side windows in standard glass (single-layer safety glass) with privacy glass - Rear window in standard glass (single-layer safety glass) with privacy glass	●	●	S	●	£390.00
3FE	Slide-and-tilt sunroof with tinted single-glazed safety glass and infinitely adjustable sun shield, integral wind deflector, and convenient closing from outside via the central locking and the radio-operated remote control	●	●	●	●	£990.00
1D4	Towing bar. Ball head and ball joint coupling made from forged steel. Mechanically swivelling ball head, operated via Bowden cable, with indicator light on Bowden cable and display in instrument cluster to monitor secure attachment of trailer towing hitch. Includes trailer stabilisation system via the Electronic Stability Control (ESC). Includes single European 13-pin electric socket and may require a 13- to 7-pin adaptor. Please consult your Audi Centre for details*	●	●	●	●	£1,025.00
4ZD	Black styling package. Includes radiator grille frame and radiator grille struts in high-gloss black, radar sensor surrounds (if fitted) in the side ventilation grille in high-gloss black, radiator grille in matt black, front side grilles in matt black, number plate holder in matt black, window capping strips and side profile roof trim strip in high-gloss black	●	●	S	–	£625.00
2Z0	Deletion of model and technology designation at rear	●	●	●	●	No charge
2Z7	Deletion of technology designation at the rear	●	●	●	–	No charge
GZ2	Power door closure. Automatically pulls doors that are not completely engaged into the lock	●	●	●	●	£525.00

Options are subject to availability and may extend delivery.

- = Not available
- = Available
- S = Standard

*Additional wiring is required for auxiliary equipment.

RRP – Recommended Retail Price.

VAT is calculated at 20% but this may alter to reflect any change in the applicable VAT rate.

Audio and communication

Stay in touch using our range of communication functions, and give each journey its own soundtrack with our advanced audio equipment.

Options are subject to availability and may extend delivery.

- = Not available
• = Available
S = Standard

RRP – Recommended Retail Price.

VAT is calculated at 20% but this may alter to reflect any change in the applicable VAT rate.

Order Code	A7 SE Executive	A7 S line	A7 Black Edition	S7	Total RRP inc VAT
8RY BOSE® surround sound - 14 speakers including centre speaker in the dashboard and subwoofer in the spare wheel well - 12-channel amplifier with a total output of over 600 Watts - Acoustics specially tuned to the interior - Surround sound 5.1 reproduction (in conjunction with MMI Navigation Plus) and stereo recordings (CD, radio, MP3) - Audiopilot for noise-compensating volume adjustment - Powerful, precise bass reproduction	•	•	S	•	£1,000.00
8RF Bang & Olufsen Advanced Sound System - 15 speakers including subwoofer and centre speaker, each with their own amplifier channel for genuine 5.1 surround sound - 10-channel Digital Sound Processing (DSP) full-digital amplifier with a total output of over 1,200 Watts, fully digitised and highly efficient 5-channel ICEPower amplifier for woofers and subwoofer - When switched on, two acoustic lenses extend from the dashboard for excellent sound rendition and perspective from all seats - Polished aluminium speaker covers - Acoustics specially tuned to the interior through the targeted use of tweeters, mid-range speakers and woofers - Speakers in encapsulated housings isolate music and telephone conversations within the vehicle for privacy when making phone calls in hands-free mode - Automatic adjustment of volume to the driving situation Only in combination with Technology Package (WB4 or WB7)	•	•	•	•	£6,300.00
6G2 DVD/CD changer in glove compartment, for 6 DVDs or CDs, supports audio CDs, video DVDs, shock-resistant and easily accessible in the glove compartment. Only in combination with Technology Package (WB4 or WB7)	•	•	•	•	£640.00



BOSE surround sound



Bang & Olufsen Advanced Sound System

Safety and security

Intelligent technology designed to give you better all-round awareness and safety on the road.

The driver's assistance systems featured on these pages work only within system limits. They assist the driver with driving tasks. However, the driver remains responsible for driving the vehicle and is required to be attentive.

Options are subject to availability and may extend delivery.

- = Not available
• = Available
S = Standard

RRP - Recommended Retail Price.

VAT is calculated at 20% but this may alter to reflect any change in the applicable VAT rate.

Order Code		A7 SE Executive	A7 S line	A7 Black Edition	S7	Total RRP inc VAT
7W1	Pre-sense basic networks the different vehicle systems, enabling driving situations to be categorised and, where necessary, actions to be implemented to protect passengers. These include: belt tightening, activating the hazard warning system, closing the windows and, if fitted, sliding roof	•	•	•	•	£260.00
QR9	Speed limit display via the Driver's Information System (DIS). Should the camera fail to see a sign properly, the speed limit from the data for the navigation system will be shown instead. The specific advantages: - Display of the speed limits currently registered, which can be called up in the Driver's Information System at any time - Display can be called up in every instrument cluster view and in the head-up display - Camera-based system is also capable of detecting temporary speed restrictions in roadworks and on digital displays (e.g. over motorways) within the system limits - Display of national speed limits for Western European countries Only in combination with Technology Pack advanced (WB7/PCN)	•	•	•	•	£250.00
4X4	Rear side airbags. For the outer rear seats, incorporated into the seat backrests. Supplement the side impact protection in the doors and the head airbag system	•	•	•	•	£375.00
PGD	Advanced key. Access and authorisation system that works through automatic data exchange between key and vehicle, allowing the driver to keep their car key in their pocket or bag at all times. To unlock and open, simply lift the exterior door handle. The door is locked by pressing the button on the handle. Pressing the start/stop button integrated in the centre console starts and stops the engine. Also featured is a hands-free tailgate release sensor located underneath the rear bumper, which can be operated by a simple kicking movement underneath the sensor	•	•	•	•	£750.00
9R1	Night vision assistant. Assists the driver when driving at night by displaying a thermal image of the surroundings. People and large wild animals are highlighted in yellow in the colour display of the Driver's Information System. If the system determines from their position that there is a potential risk, the marking changes to red, a warning triangle appears and a warning tone is emitted. Warning can also be shown in the Head-up display, if ordered. In conjunction with High beam assist (8G1) or Audi Matrix LED headlights (PXC), the highlighted person is also illuminated with 3 successive flashes of the headlight. If ordered, system operation may be restricted in too much ambient light, high humidity and high night temperatures (over 28°C)	•	•	•	•	£1,510.00



Night vision assistant



Speed limit display

Looking after your Audi

When you've chosen your ideal model, it's reassuring to know that it will remain in safe hands. That's why we've created products to protect your Audi, from extended warranties to Audi Complete – our comprehensive service and maintenance package. And there's also a range of Audi accessories and merchandise to choose from, enabling you to further enhance and safeguard your car.





Audi Complete

If you drive under 10,000 miles per annum your vehicle will be placed on a Fixed Inspection Service schedule. If your mileage tends to exceed 10,000 miles per annum it will be placed on the Flexible Service schedule.

Warranty

All new Audi models now come with a choice of three, four or five-year warranty.* What's more, if you decide to sell your Audi before the warranty expires, it will be fully transferred to the new owner. So, whichever length of warranty you choose, you can forget about unexpected repair bills and enjoy several years of carefree driving.

Options are subject to availability and may extend delivery.

- = Not available
• = Available
S = Standard

*Three-year warranty consists of a two-year unlimited-mileage warranty and a third year warranty with a 60,000-mile limitation. Four-year warranty consists of a two-year unlimited-mileage warranty and two further years' coverage with a 75,000-mile limitation. Five-year warranty consists of a two-year unlimited-mileage warranty and three further years' coverage with a 90,000-mile limitation.

**Only available before registration of your Audi A7. Please speak to your Audi Centre for full details.

RRP - Recommended Retail Price.

VAT is calculated at 20% but this may alter to reflect any change in the applicable VAT rate.

Audi Complete is our fixed-cost maintenance plan, which helps you keep your Audi in top condition and stay in control of your finances. For a simple monthly payment, you could cover your car's servicing, maintenance and, if you want, its tyres too.

So not only will you ensure your car runs smoothly, you'll also protect its future resale value. And because everything's covered by one competitive price, there's no need to go anywhere else.

Pricing is completely tailored to your vehicle and takes into consideration the options you have on your vehicle and your likely annual mileage and resultant service schedule. Please speak to your Audi Centre for a personalised quote for Audi Complete.

Order Code		A7	S7	Total RRP inc VAT
-	Audi Warranty , covering you for unlimited mileage in the first two years of ownership, and up to 60,000 miles in the third year. Transferable between owners**	S	S	No charge
EA6	Audi Warranty , covering you for up to 4 years or 75,000 miles, whichever comes soonest. Cover includes a two-year unlimited mileage warranty, and up to 75,000 miles in the third and fourth years. Transferable between owners**	•	•	£730.00
EA9	Audi Warranty , covering you for up to 5 years or 90,000 miles, whichever comes soonest. Cover includes a two-year unlimited mileage warranty, and up to 90,000 miles in the third, fourth and fifth years. Transferable between owners**	•	•	£1,750.00



Accessories

Choosing an Audi isn't just a matter of deciding on the model you want; it's about creating a car that suits your needs perfectly. That's why we've developed a whole range of accessories to enhance your A7, enabling you to customise it down to the last detail. Like your Audi, all these accessories are developed to the highest possible standards. They're all available exclusively from Audi. To find out more, just visit your local Audi Centre.

Warranty

All the accessories available on the A7 are covered by a 3-year warranty* if they are ordered and included in the purchase price of the car at date of delivery. Any accessories ordered and installed after delivery include a 2-year warranty.*



*Excluding Road Angel products.

Audi Accessories warranty terms and conditions can be found at audi.co.uk

Merchandise

From the enthusiasts' motorsport collection to the sophisticated Audi collection, there's a wide variety of adults' and children's clothing, lifestyle accessories and collectables, all of which bear the Audi name.

Please speak to a member of our team at your local Audi Centre to see the full Audi collection and to place an order. A selection of Audi merchandise is also available to buy from audi.co.uk/merchandise



Image shown is the Audi kids' car legends, item number 320.13.004.00

The Audi Difference

The experts in Vorsprung durch Technik

Our Audi Approved Master Technicians have undergone an impressive 100,000 hours of training over a 10-year programme to ensure they have the latest technical expertise for maintaining and servicing your Audi. All our Service Advisors undergo a specialist induction and training to ensure they are Audi professionals and able to talk to you about any issues you may have with your Audi vehicle.

Servicing tailored to your needs

Regular servicing is key to safeguarding your Audi's performance and a full Audi service history could help you enhance the future re-sale value. To make servicing easy, the Audi Service Schedules have been designed to work with your individual driving style and vehicle.

We offer two different schedules: the Fixed Inspection Service and the Flexible Service schedule. The conventional Fixed Inspection Service schedule has fixed intervals for the Oil-change Service and Inspection Service, which are determined by time and distance.

With the Flexible Service schedule, the Inspection Service intervals are also fixed but the Oil-change Service intervals are variable. Sensors take account of driving style and conditions to determine when the Oil-change Service is required and the driver is informed via the on-board service interval display.

The choice of Service Schedule will depend on journey type and mileage as well as individual driving style and conditions. The table to the right can be used for guidance but your Audi Centre will help you to determine the most suitable Service schedule for you based on your individual circumstances and preferences.

Fixed Inspection Service Schedule

	Vehicle usage:
Mileage	Less than 10,000 miles per annum Mainly city/town centre driving. Short journeys.
	Service Intervals:
Oil-change Service	Fixed to every 9,000+ miles/1 year
Inspection Service	Fixed to every 19,000+ miles/2 years

Flexible Service Schedule

	Vehicle usage:
Mileage	More than 10,000 miles per annum Motorway and main road driving. Mainly longer distance journeys. Constant speeds.
	Service Intervals:
Oil-change Service	Variable to a maximum of every 19,000+ miles/2 years
Inspection Service	Fixed to every 19,000+ miles/2 years

When a vehicle is frequently used in the following conditions, we recommend a Fixed Inspection Service Schedule, regardless of mileage:

Uneconomical driving styles, e.g. heavy acceleration and braking, constant use of high revs

High engine-loading conditions, e.g. frequent towing and hill climbs

*As indicated by the service interval display. Mileages are approximate as the Service Indicator system uses kilometres as its distance measurement.

Your convenience comes first

At Audi you can choose from a range of convenient services that suit your needs. Why not book a 'service while you wait' appointment* and enjoy our complimentary refreshments while your car is with us? Or, if you need to be mobile, take advantage of one of our courtesy cars which we can even deliver to you.* We guarantee we can service your Audi within 5 days without a courtesy car or within 10 days if you need transport. We will also ensure your car is returned to you with a full valet.

Audi Genuine Parts

You can rest assured that only Audi Genuine Parts will be used on your vehicle. What's more, Audi parts and labour come with a 2-year guarantee.**

No hidden costs

We believe strongly in transparency when it comes to our prices. For added peace of mind, we will give you a quotation over the phone for the work you have requested and email you the price confirmation. We'll consult you if any additional work on your car is needed when it is with us. We won't carry out any extra work without asking your permission first.

All part of the service

Whenever we see an Audi for a service, we connect it directly to our headquarters in Ingolstadt which enables us to check your car's software and make sure it's as up-to-date as possible. If the factory has released a software upgrade for your model, it can be applied immediately - improving anything from your car's efficiency to the precision of its parking system.

Audi Roadside Assistance

Your new car comes complete with 3 years' complimentary roadside assistance and recovery across the UK, provided by Automobile Association Insurance Services Limited. Also included is roadside assistance throughout Europe, managed by Automobile Association Insurance Services Limited.

For further information and terms and conditions please visit audi.co.uk

*Subject to availability.

**Excludes wear and tear.



A7 Sportback technical data

Engine	Petrol		Diesel		
	3.0 TFSI quattro	3.0 TDI ultra	3.0 TDI quattro	3.0 TDI quattro	3.0 BiTDI quattro
Transmission	7-speed S tronic	7-speed S tronic	7-speed S tronic	7-speed S tronic	8-speed tiptronic
Cylinder	6-cylinder	6-cylinder	6-cylinder	6-cylinder	6-cylinder
Displacement, cubic cm (valves per cylinder)	2995 (4)	2967 (4)	2967 (4)	2967 (4)	2967 (4)
Max. power, ¹ PS at rpm	333/5500-6500	218/4000-5000	218/3250-4750	272/3500-4250	320/3900-4600
Max. torque, Nm at rpm	440/2900-5300	400/1250-3750	500/1250-3000	580/1250-3250	650/1400-2800
0-62mph acceleration, seconds	5.3	7.3	6.8	5.7	5.2
Top speed, mph	155*	148	148	155*	155*
ABI insurance group 1-50 [†]	44E	38E	41E	44E	45E
Unladen weight, ² kg	1810	1755	1825	1830	1895
Gross weight limit, kg	2420	2365	2435	2440	2505
Roof load limit/nose weight, kg	100/85	100/85	100/85	100/85	100/85
Max trailer load unbraked ³ kg	750	750	750	750	750
Max trailer load with 12% gradient ³ kg	2100	2000	2000	2000	2100
Max trailer load with 8% gradient ³ kg	2100	2100	2100	2100	2100
Luggage compartment capacity, rear seats upright, litres	535	535	535	535	535
Luggage compartment capacity, rear seats folded, litres	1390**	1390**	1390**	1390**	1390**
Fuel tank capacity approx, litres	65	73	73	73	73
Emission standard	EU6	EU6 [^]	EU6 [^]	EU6 [^]	EU6 [^]

*Electronically limited.

[†]The addition of AdBlue technology ensures compliance with EU6 emission standards. The AdBlue tank may require refilling between services.

**Loaded up to roof with rear seat folded down.

[†]Highest insurance group rating shown. Group may be lower dependent on trim level. Please visit www.thatcham.org/abigrouprating for details.

¹The given value was obtained in accordance with the specified measurement procedure (the respective current version of the Directive 80/1269/EEC).

²Vehicle's unladen weight without driver (calculated in accordance with the current version of Directive 80/1268/EEC). The fitting of additional equipment may increase the vehicle's unladen weight and drag coefficient, whereupon the potential carrying capacity and top speed will be correspondingly reduced.

³The engine's power output always goes down with increasing altitude. At 1,000m above sea level, and for every additional 1,000m, deduct 10% from the weight of the outfit (trailer load limit + gross weight of the towing vehicle).

Please note: The maximum power output figures are quoted in PS (or Pferdestärke, which is the metric equivalent of brake horsepower). To convert to brake horsepower, divide the PS figure by 1.0139.

A7 Sportback technical data

Depending upon your chosen A7 Sportback wheel size, different efficiency figures for CO₂ emissions and fuel consumption will apply (based on EU directive no. 715/2007 effective from 01/09/14). This table is a quick reference guide to assist you in finding the correct values based on the wheel sizes and chosen engine.

Engine		Petrol		Diesel		
		3.0 TFSI quattro	3.0 TDI ultra	3.0 TDI quattro	3.0 TDI quattro	3.0 BiTDI quattro
Transmission		7-speed S tronic	7-speed S tronic	7-speed S tronic	7-speed S tronic	8-speed tiptronic
Max. power, ¹ PS at rpm		333/5500-6500	218/4000-5000	218/3250-4750	272/3500-4250	320/3900-4600
CO ₂ emissions ² , g/km	19" Wheel	-	124	138	138	-
	20" Wheel	182	128	142	142	167
	21" Wheel	182	128	142	142	167
Benefit in kind (BIK)%	19" Wheel	-	22%	25%	25%	-
	20" Wheel	31%	23%	26%	26%	31%
	21" Wheel	31%	23%	26%	26%	31%
Fuel consumption ² , mpg (l/100km) Urban	19" Wheel	-	51.4 (5.5)	47.1 (6.0)	47.1 (6.0)	-
	20" Wheel	27.7 (10.2)	50.4 (5.6)	46.3 (6.1)	46.3 (6.1)	37.2 (7.6)
	21" Wheel	27.7 (10.2)	50.4 (5.6)	46.3 (6.1)	46.3 (6.1)	37.2 (7.6)
Fuel consumption ² , mpg (l/100km) Extra Urban	19" Wheel	-	64.2 (4.4)	58.9 (4.8)	58.9 (4.8)	-
	20" Wheel	43.5 (6.5)	62.8 (4.5)	56.5 (5.0)	56.5 (5.0)	50.4 (5.6)
	21" Wheel	43.5 (6.5)	62.8 (4.5)	56.5 (5.0)	56.5 (5.0)	50.4 (5.6)
Fuel consumption ² , mpg (l/100km) Combined	19" Wheel	-	58.9 (4.8)	54.3 (5.2)	54.3 (5.2)	-
	20" Wheel	36.2 (7.8)	57.6 (4.9)	52.3 (5.4)	52.3 (5.4)	44.8 (6.3)
	21" Wheel	36.2 (7.8)	57.6 (4.9)	52.3 (5.4)	52.3 (5.4)	44.8 (6.3)

¹The given value was obtained in accordance with the specified measurement procedure (the respective current version of the Directive 80/1269/EEC).

²Fuel consumption and CO₂ emissions figures are obtained under standardised test conditions (Directive 93/116/EEC) using a representative model. This allows direct comparison between different models from different manufacturers, but may not represent the actual fuel consumption achieved in 'real world' driving conditions. More information is available at www.dft.gov.uk/vca

Please note: The maximum power output figures are quoted in PS (or Pferdestärke, which is the metric equivalent of brake horsepower). To convert to brake horsepower, divide the PS figure by 1.0139.

S7 Sportback technical data

Depending upon your chosen S7 Sportback wheel size, different efficiency figures for CO₂ emissions and fuel consumption will apply (based on EU directive no. 715/2007 effective from 01/09/14). This table is a quick reference guide to assist you in finding the correct values based on the wheel sizes and chosen engine.

*Electronically limited.

**Loaded up to roof with rear seat folded down.

[†]Highest insurance group rating shown. Group may be lower dependent on trim level. Please visit www.thatcham.org/abigrouprating for details.

[‡]The given value was obtained in accordance with the specified measurement procedure (the respective current version of the Directive 80/1269/EEC).

[§]Fuel consumption and CO₂ emissions figures are obtained under standardised test conditions (Directive 93/116/EEC) using a representative model. This allows direct comparison between different models from different manufacturers, but may not represent the actual fuel consumption achieved in 'real world' driving conditions. More information is available at www.dft.gov.uk/vca

[¶]Vehicle's unladen weight without driver (calculated in accordance with the current version of Directive 80/1268/EEC). The fitting of additional equipment may increase the vehicle's unladen weight and drag coefficient, whereupon the potential carrying capacity and top speed will be correspondingly reduced.

^{‡‡}The engine's power output always goes down with increasing altitude. At 1,000m above sea level, and for every additional 1,000m, deduct 10% from the weight of the outfit (trailer load limit + gross weight of the towing vehicle).

Please note: The maximum power output figures are quoted in PS (or Pferdestärke, which is the metric equivalent of brake horsepower). To convert to brake horsepower, divide the PS figure by 1.0139.

	Petrol
Engine	4.0 TFSI quattro
Transmission	7-speed S tronic
Cylinder	V8
Displacement, cubic cm (valves per cylinder)	3993 (4)
Max. power, ¹ PS at rpm	450/5800-6400
Max. torque, Nm at rpm	550/1400-5700
0-62mph acceleration, seconds	4.6
Top speed, mph	155*
ABI insurance group 1-50 [†]	45E
Unladen weight, [‡] kg	1955
Gross weight limit, kg	2565
Roof load limit/nose weight, kg	100/85
Max trailer load unbraked, [§] kg	750
Max trailer load with 12% gradient, [¶] kg	2100
Max trailer load with 8% gradient, [¶] kg	2100
Luggage compartment capacity, rear seats upright, litres	535
Luggage compartment capacity, rear seats folded, litres	1390**
Fuel tank capacity approx, litres	75
Emission standard	EU6

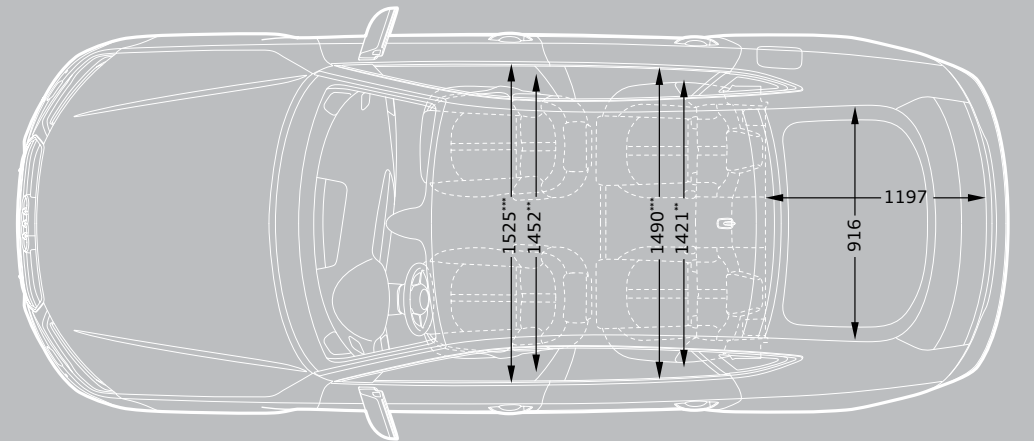
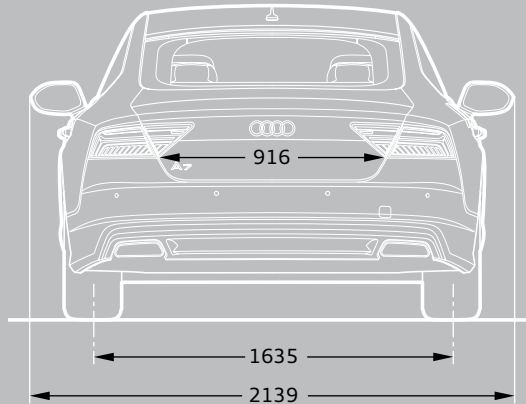
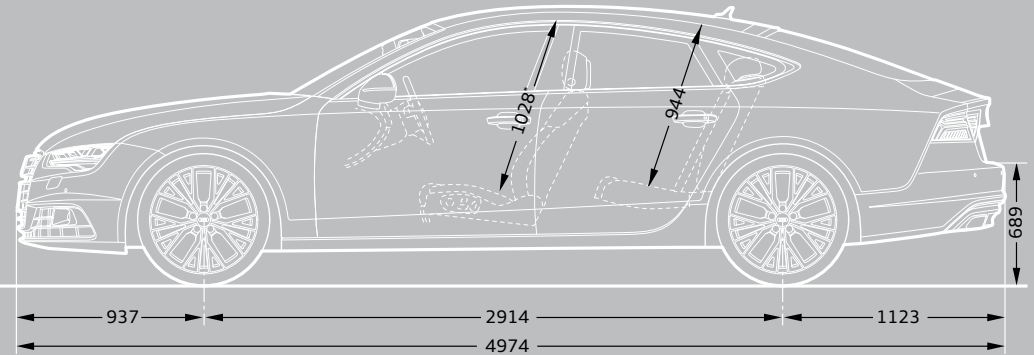
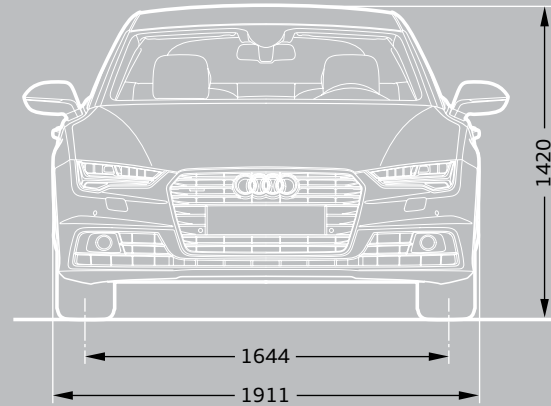
		Petrol
Engine		4.0 TFSI quattro
Transmission		7-speed S tronic
Max. power, ¹ PS at rpm		450/5800-6400
CO ₂ emissions ³ , g/km	20" Wheel	220
	21" Wheel	220
Benefit in kind (BIK)%	20" Wheel	37%
	21" Wheel	37%
Fuel consumption ³ , mpg (l/100km) Urban	20" Wheel	21.1 (13.4)
	21" Wheel	21.1 (13.4)
Fuel consumption ³ , mpg (l/100km) Extra Urban	20" Wheel	39.2 (7.2)
	21" Wheel	39.2 (7.2)
Fuel consumption ³ , mpg (l/100km) Combined	20" Wheel	29.7 (9.5)
	21" Wheel	29.7 (9.5)





A7 Sportback dimensions

The technical drawings opposite show the exact dimensions of the Audi A7 Sportback, so you can check everything – from whether the car will fit in your garage to whether your luggage will fit in the boot.



*Maximum headroom.

**Elbow room width.

***Shoulder room width.

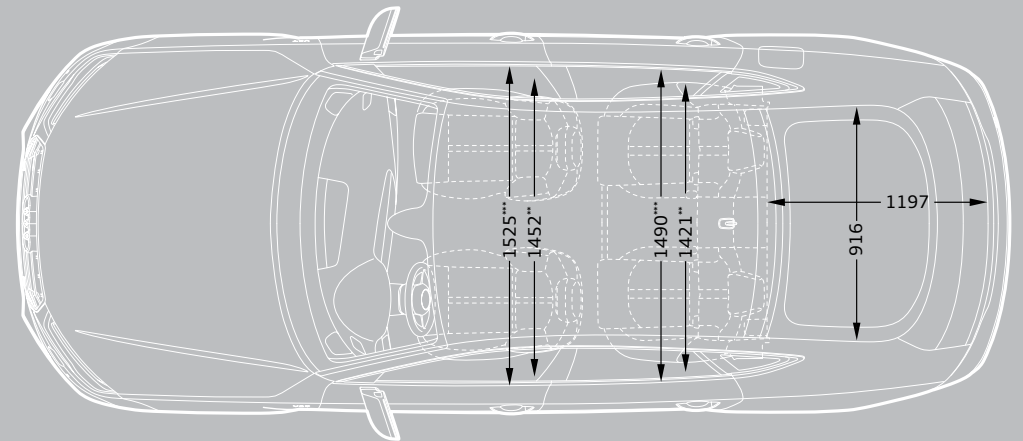
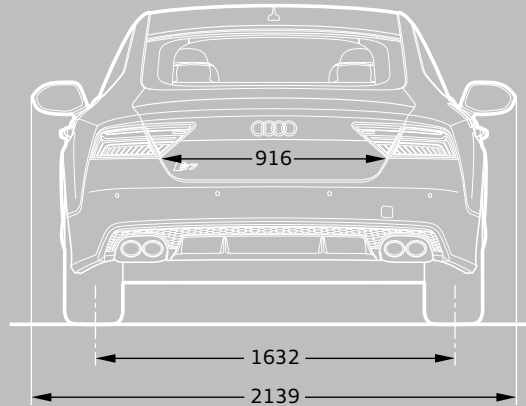
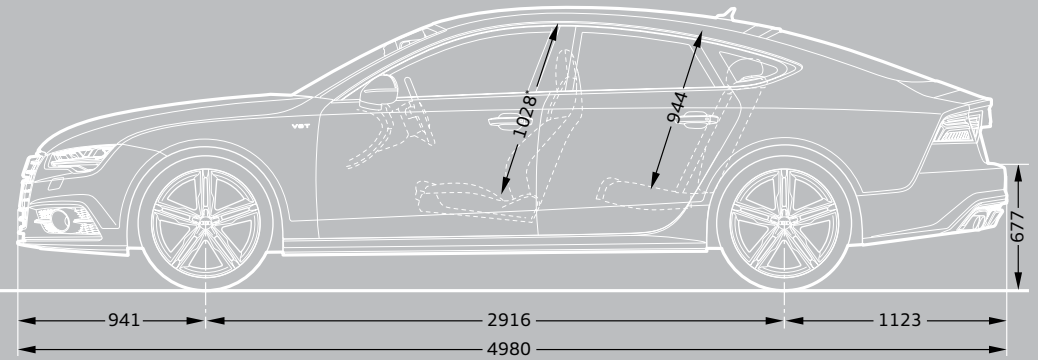
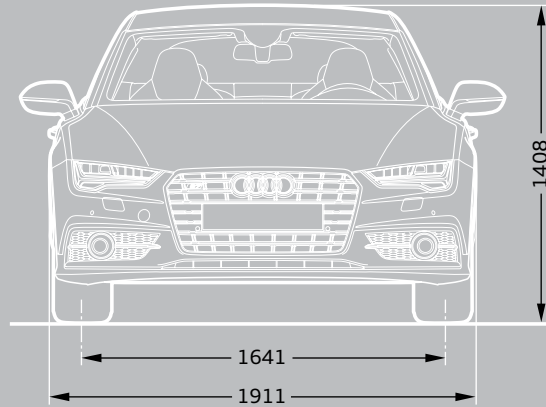
Dimensions in millimetres.

Turning circle approx 11.9m.

Dimensions were measured with vehicle at unladen weight. Luggage compartment volume in litres: 535/1390 (measured by the VDA standard test method using 200 x 100 x 50mm blocks; second value: with rear seat folded down).

S7 Sportback dimensions

The technical drawings opposite show the exact dimensions of the Audi S7 Sportback, so you can check everything – from whether the car will fit in your garage to whether your luggage will fit in the boot.



*Maximum headroom.

**Elbow room width.

***Shoulder room width.

Dimensions in millimetres.

Turning circle approx 11.9m.

Dimensions were measured with vehicle at unladen weight. Luggage compartment volume in litres: 535/1390 (measured by the VDA standard test method using 200 x 100 x 50mm blocks; second value: with rear seat folded down).

Pricing and Additional information

Welcome to Audi

By placing an order for your Audi, you're choosing to get behind the wheel of one of the most sophisticated cars on the road. And because we believe the service we offer should be just as advanced, we want to let you know exactly what you can expect from us, now and in the future.

We've agreed a set of standards with all our Centres which governs the way we do business with you. It outlines the kind of service we promise to deliver for every customer, right down to filling each new Audi we sell with half a tank of fuel.

So whether you're interested in the date your car will arrive in the UK or the way we'll dispose of non-biodegradable materials after we service your Audi, you can have total confidence in us.

Audi Promise

Audi Centres

We guarantee that all our Centres will be open as follows:

Sales: Monday to Friday 9am–6pm
Saturday 9am–5pm

Service: Monday to Friday 8am–6pm
Saturday 8.30am–1pm

Sunday opening is at local discretion.

New car delivery

Once we've confirmed a delivery date for your car, we'll keep you informed of progress. Subject to reasonable notice, we'll then deliver it to a place of your choice, whether that's your home or work. In the unlikely event of a delay, we'll provide a courtesy car to minimise inconvenience and keep you mobile.

Environmental commitment

We promise to dispose of all non-biodegradable materials from your vehicle in a responsible manner.

Pricing

Prices and specifications given are correct at the time of printing. Always check details with your Audi Centre as Audi policies are continually developing. We reserve the right to change prices or specifications at any time.

All prices are subject to VAT, currently charged at 20%, but this may alter to reflect any change in the applicable VAT rate.

Delivery charges and number plates are not included in the vehicle price.

Delivery charge	£504.99
Number plate	£20.00
VAT	£105.01
Total	£630.00

Audi Customer Care

Every new Audi benefits from the comprehensive Audi Customer Care Package, which comprises:

- ▶ A 3-year Audi warranty, which covers you for unlimited mileage in the first 2 years of ownership, with a full mechanical and electrical warranty which covers you for up to 60,000 miles in the 3rd year
- ▶ A 3-year paint warranty
- ▶ A 12-year anti-corrosion warranty
- ▶ 3 years' UK roadside assistance and recovery

You also have the option when ordering your new car of choosing a 4-year or 5-year Audi warranty. Speak to a member of the sales team for more information.

Audi tax-free sales

If you are entitled to purchase a vehicle free of VAT, normally through military or diplomatic privilege, please contact your local Audi Centre for full details.

Should you have any difficulty obtaining the information you require, please call 0870 241 5663.

Audi Financial Services

Audi Financial Services specialises in providing funding solutions for Audi drivers. Whether your Audi is for private or business use, there is a range of funding options to choose from.

Below is the full range of finance products, which comprises:

- ▶ Solutions – a Personal Contract Plan
- ▶ Hire purchase
- ▶ Lease purchase
- ▶ Finance lease
- ▶ Contract hire

With all products, you can choose a fixed-cost maintenance plan designed to help you budget accurately.

No matter which Audi model you choose, your local Audi Centre can provide you with a personalised quote designed to fit your budget and motoring needs.

Audi Financial Services is a trading name of Volkswagen Financial Services (UK) Limited. An offer of finance depends on certain conditions. Available to people over 18 in the UK only.

Audi Insurance

We want you to start enjoying your new car from day one and thanks to Audi complimentary five day insurance you can. To activate simply call 0330 303 6900, provide us with a few details, and we'll send a cover note to your Audi Centre. They will then tax your car and you can drive it away. Telephone lines are open Monday to Friday 8am – 8pm and Saturday 9am – 4pm. For details of our full range of Insurance products visit insurewithaudi.co.uk

CO2 data and information

CO2 emissions-based Vehicle Excise Duty

Vehicle Excise Duty (Road Fund Licence) is based upon the amount of Carbon Dioxide (CO2) a vehicle emits, measured in grams per kilometre (g/km).

First year VED rates apply to the first year of ownership. Annual VED rates apply thereafter. The DVLA has created thirteen categories:

Petrol and Diesel engines	First year	Annual rate (second year onwards)
A – up to 100g/km	£0.00	£0.00
B – 101 to 110g/km	£0.00	£20.00
C – 111 to 120g/km	£0.00	£30.00
D – 121 to 130g/km	£0.00	£110.00
E – 131 to 140g/km	£130.00	£130.00
F – 141 to 150g/km	£145.00	£145.00
G – 151 to 165g/km	£180.00	£180.00
H – 166 to 175g/km	£295.00	£205.00
I – 176 to 185g/km	£350.00	£225.00
J – 186 to 200g/km	£490.00	£265.00
K – 201 to 225g/km	£640.00	£290.00
L – 226 to 255g/km	£870.00	£490.00
M – over 255g/km	£1,100.00	£505.00

Vehicle Excise Duty (VED) rates correct at time of going to print, but these may alter to reflect any change in the applicable VED rate.

Audi Connect

An external data source is required to enable Audi Connect online services. One of the two can be used:

1. A mobile telephone with Bluetooth SIM Access Profile – to check the compatibility of your mobile phone and whether it has SIM Access Profile compatibility, please visit www.audi.co.uk/phonecompatibility
2. A separate SIM card which can be inserted in the included SIM card reader. When a separate SIM card is used, hands-free phone calls are possible using the SIM card or by connecting a different mobile telephone via Bluetooth Hands-Free Profile

Online services are only available for mobile phone contracts or SIM cards which include a data option with the use of LTE, if LTE usage is required. Online services will only be available within the coverage of the mobile phone network; there may be additional costs for the use of these services (charges and billing correspond to the personal mobile phone contract or SIM card contract).

Due to high data volumes, a mobile phone contract including an unlimited or high usage data plan is strongly recommended. The content and scope of the online based services offered may vary.

The Audi Connect services are provided for at least one year from vehicle delivery. After 24 months from delivery of the vehicle, the term of the Audi Connect services will be extended free of charge once for 12 months.

Audi Connect enables access to the services of Google and Twitter. Permanent availability cannot be guaranteed as this is the responsibility of Google and Twitter.

Please note that the services received are also dependent on the capability of your mobile phone.

Google and the Google logo are registered trademarks of Google Inc.

The availability of services supported by Audi Connect varies from country to country.

Online Map updates

The map version delivered can be updated with the first 5 updates which are issued at intervals of 6 months. The current navigation data can be downloaded from the myAudi Platform at www.audi.com/myaudi and installed in the vehicle via SD card. In conjunction with Audi Connect, the update can be carried out online in the vehicle. In addition it is possible to have the new navigation data installed by an Audi partner at extra cost.



Audi UK

Customer Services
Selectapost 29
Sheffield
S97 3FG
0800 699888
audi.co.uk

Specifications and prices subject
to change without notice.

© Audi (UK)

Printed in the UK
Edition 2.2 10/15
2016 Model Year

Images are for illustrative purposes only.